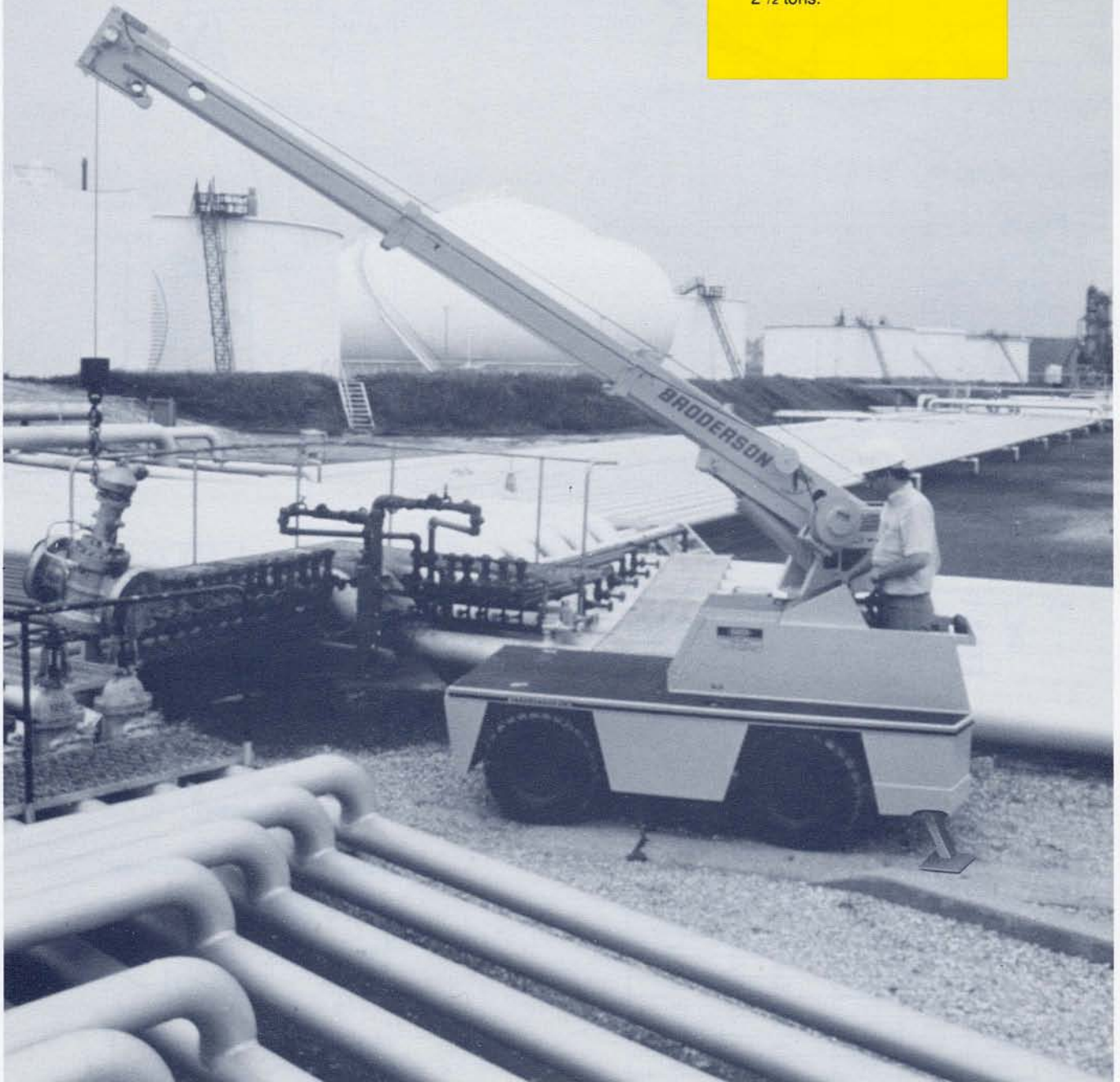


AT A GLANCE:

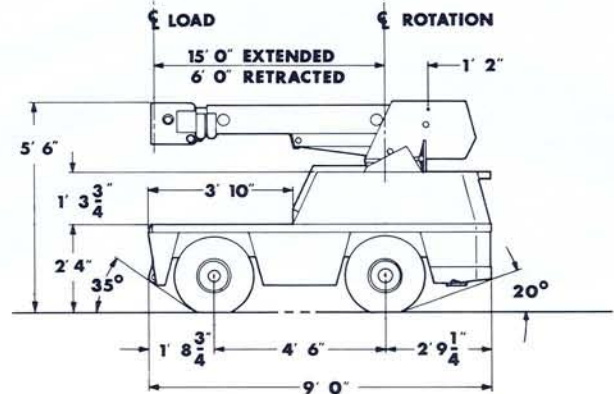
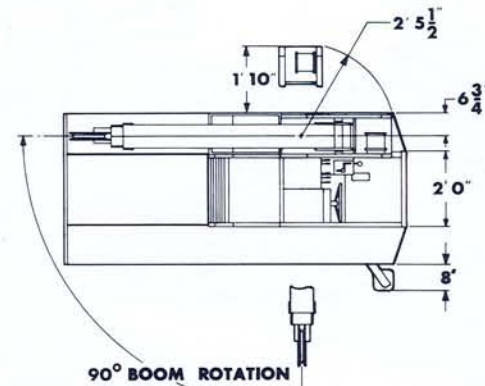
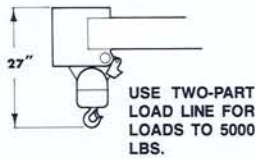
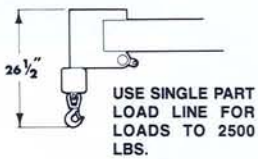
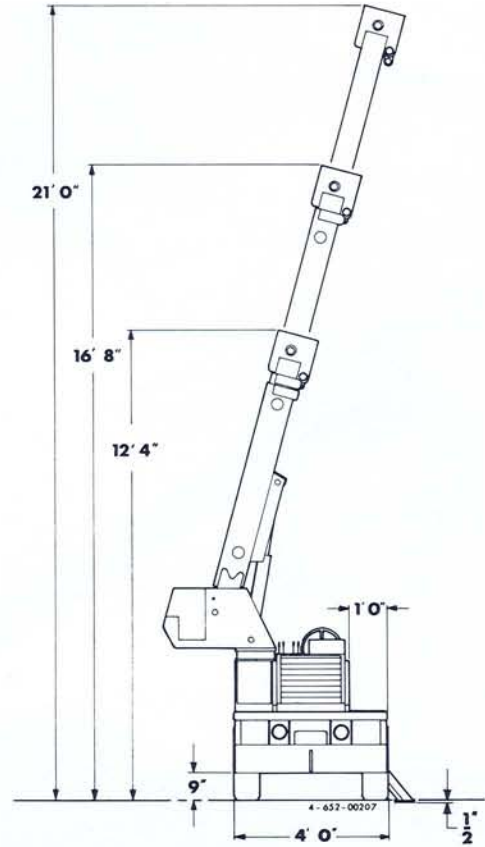
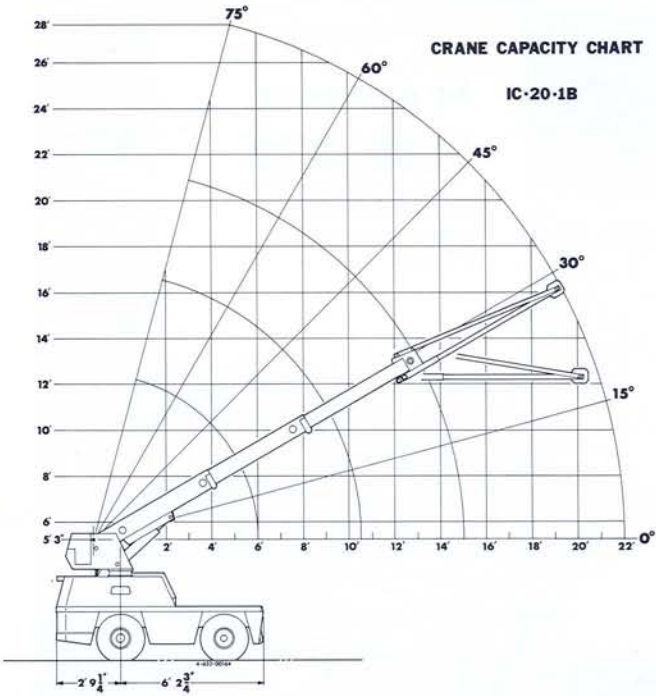
Built tough to work tough
in industrial applications
where an operator wants
pinpoint control and
placement of loads to
2½ tons.



IC-20B

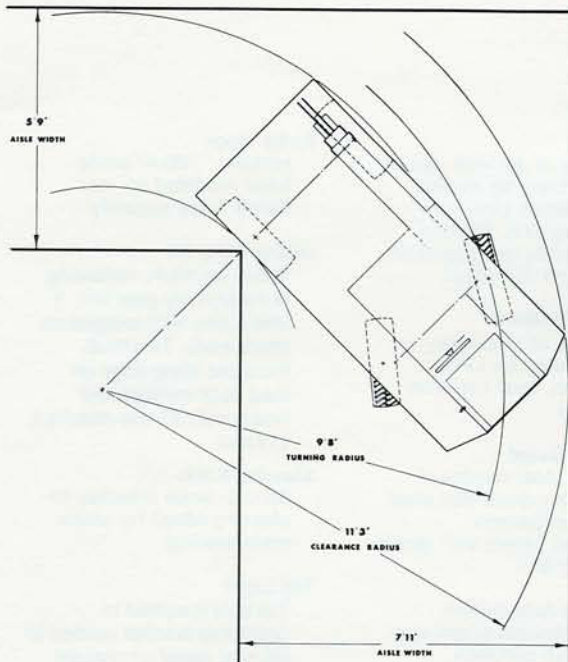
CRANE CAPACITY CHART

IC-20-1B



LOAD RADIUS FEET	3-SECTION BOOM			7 FT. JIB INSTALLED	
	CENTERED OVER FRONT	FOR 90° SWING		90° SWING (IN LINE OR OFFSET)	
		ON RUBBER	ON OUTRIGGER	ON RUBBER	ON OUTRIGGER
4	5000	5000	5000	1300	1300
5	4000	4000	4000	1100	1100
6	3000	2675	3000	750	750
8	2500	1550	2325	650	650
10	1950	1025	1500	550	550
12	1675	750	1075	500	500
15	1200	500	750	500	500
17				425	500
19				325	500
22				225	350

CAPACITIES ON OUTRIGGER ARE 85% OF TIPPING LOADS. CAPACITIES ON RUBBER ARE 75% OF TIPPING LOADS.
CAPACITIES BELOW BOLD LINE ARE LIMITED BY TIPPING. OTHER CAPACITIES ARE LIMITED BY STRUCTURAL OR HYDRAULIC CAPABILITY.



Axles:

- Drive axle** — Location-Front
Contains Fairfield torque hubs and Ross Hydraulic drive motors
- Steering axle** — Location-Rear

Steering:

Full hydraulic orbitrol unit with one double-acting 2 1/2" cylinder attached to rear axle

Tires:

- Standard** - 7.50X10 Pneumatic
- Optional** - Solid rubber "Grizzley Supersoft" SG 36

Brakes:

Hand/Foot actuated parking brake built into each torque hub to hold crane when not being driven

Outrigger:

One hydraulic outrigger with box beam construction. Hydraulic cylinder is equipped with direct-connected holding valve

Cargo Deck

20 sq. ft. deck area, 5,000 pounds capacity

Hydraulic System:

Tandem pump mounted to rear of hydrostatic piston pump
Delivers 5 and 10 GPM at rated R.P.M.
Hydraulic oil tank capacity - 9.5 gal. capacity

Crane:

Boom Movement

- Rotation 90°
- Elevation 0° to 75°
- Extension 6' to 15' (9 ft.)

Boom Speeds

- Rotation 90° in 13 sec.
- Elevation 11 seconds
- Extension 28 seconds

Boom Assembly

Three section boom assembly equipped with bearing pads, double-acting hydraulic cylinders equipped with direct connected holding valves and boom angle indicator on left side of boom

Boom Swing

Two double acting hydraulic cylinders connected to turntable torque tube provides 90° rotation. Heavy-duty ball bearing rotation bearing.

Boom Winch

- Turret-mounted
- Hydraulic powered
- Bare drum line pull of 3,100 lbs.
- Winch line speed 46 ft. per minute
- 80 ft. of 5/16 wire rope, downhaul weight and swivel hook, standard

General:

- Weight** - 5,800 lbs.
- Travel Speed** - 0 to 6 MPH
- Drawbar pull** - 2,800 lbs.
- Turning Radius** (C/L of outside steering wheel) 9'8" Aisle width for 90° turn 7'11"

Engine:

	Std.	Opt.
Make	Continental	Kubota
Model	Y112	V-1902-B
Type	Gas	Diesel
No. Cyl.	4	4
Displacement	112	113.6
HP @ Governed speed	36 HP	40 HP

Electrical:

- 12 volt system**
- Lighting group** - 1 pair headlights
- Instrument group** - Fuel, ammeter, oil pressure, water temperature, oil filter pressure, gauges and hourmeter

Fuel Tank:

13.5 gal. capacity

Hydrostatic pump:

Cessna piston type 2.48 CID/Rev direct driven from engine crankshaft.

IC-20B

Options:

Anti-Two-Block Device

Prevents damage to hoist rope and/or crane components from pulling load hook against boom tip.

Auxiliary Winch

Mounted behind front bumper, hydraulically driven with control in operators console.

Back-Up Alarm

Provides pulsating sound when transmission is in reverse.

Solid Rubber Tires

For applications where hazardous ground conditions exist.

Bucket Brake

Friction brake for holding fiberglass bucket in a fixed position.

Boom Swing Lock

Prevents boom from being swung in normal 90° arc. Includes padlock.

Fiberglass Bucket

24" X 24" X 42" deep personnel bucket with maximum capacity of 300 pounds.

Sheave Block

Required for maximum capacity lifts.

7 Ft. Jib

Consists of Jib with pair of tension bars, tip sheave, cable keeper, pins, jib attaching pins. Tension bars provide two positions: in-line and 30° offset.

LPG Fuel System

Contains all necessary components for LPG operation. Dual fuel also available.

Operators Guard

Tubular steel weldment with heavy expanded steel mesh top section. Overhead height with guard installed 90".

Oscillating Axle Option

This minimizes wheel spin on uneven surfaces.

Pintle Hook

Holland "T-60-A" pintle hook mounted on rear frame. 5 ton capacity.

Lifting Sling Kit

Three leg hitch, consisting of heavy-duty pear link, 3 wire ropes with swaged on clevis ends. Two flush mounted lifting rings on load deck corners and heavy-duty lift eye attached to turret.

Steering Knob

Spinner knob attaches to steering wheel for easier maneuvering.

Tail Light

Tail light mounted in protective bracket welded to left rear panel on chassis.



BMC BRODERSON
Manufacturing Corp.

P.O. Box 14770, Lenexa, Kansas 66215 • (913) 888-0606