

- \* Capacity on outriggers... 30,000 lbs.
- \* Pick and carry capacity... up to 16,000 lbs.
- \* Height...7' 11-1/2"
- \* Width...8'
- \* Sheave height...up to 73'
- \* Horizontal reach...up to 66'
- \* Tight turning radius
- \* 4-Wheel steer standard
- \* 4-Wheel drive optional
- \* Powershift transmission
- \* Fully hydraulic controls for smooth precise operation
- \* Independent outrigger controls



**DMC BRODERSON**  
Manufacturing Corp.

P.O. Box 14770, Lenexa, KS 66285-4770  
14741 West 108th St. • Lenexa, KS 66215-2015  
(913) 888-0806 • FAX (913) 888-8431  
Website: [brocranes.com](http://brocranes.com)

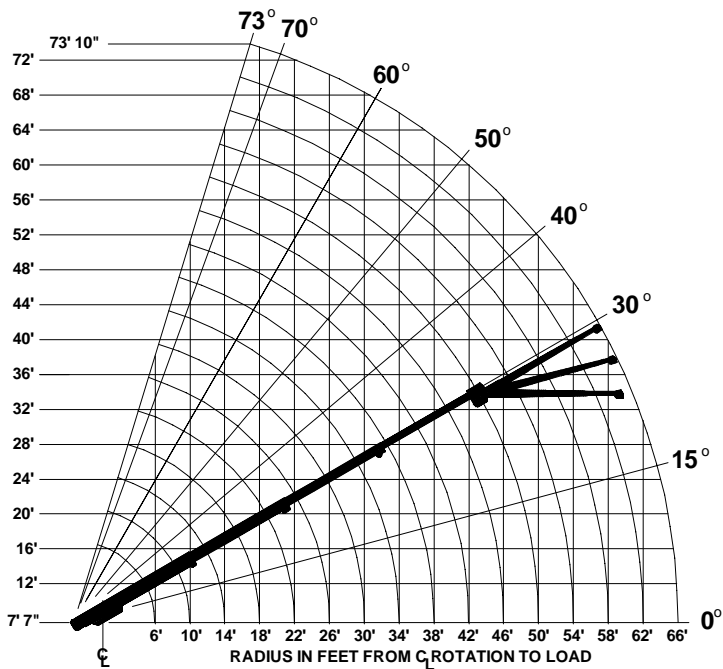
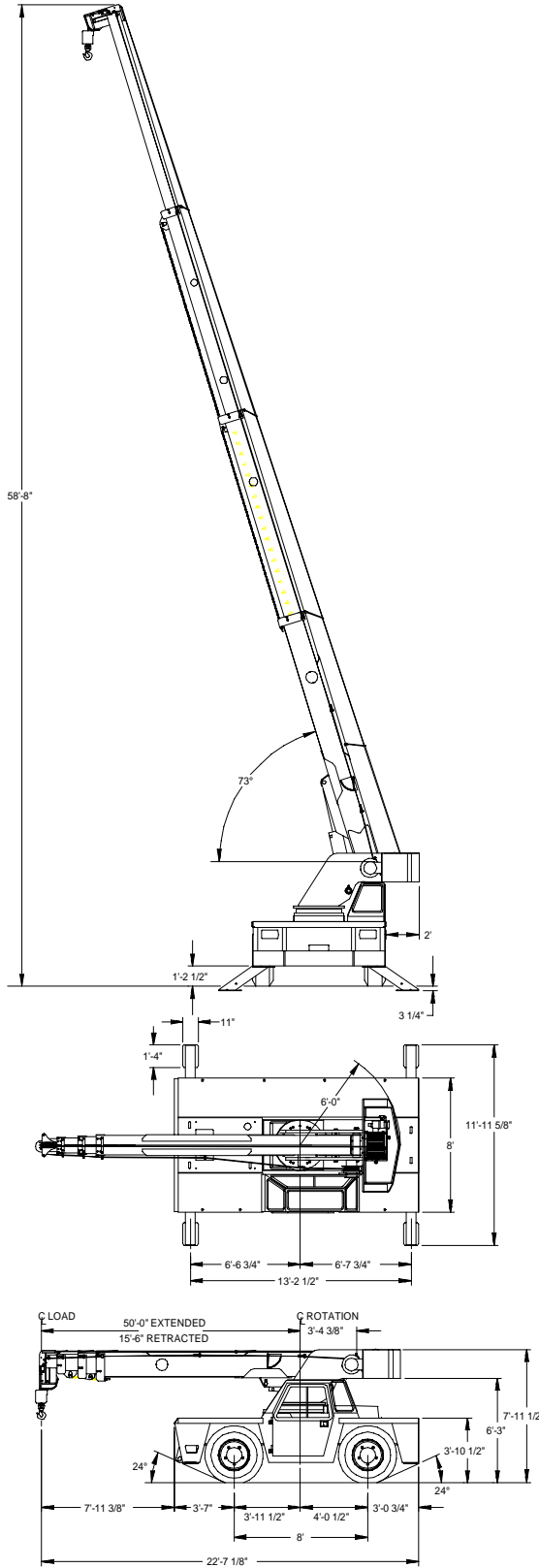
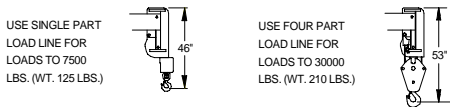
# IC-200-3D

LOAD RADIUS FEET	CAPACITIES IN POUNDS FOR OPERATION ON FIRM LEVEL SURFACE							
	MAIN BOOM ONLY				BOOM EXTENSION			
	ON RUBBER		ON OUTRIGGERS		ON RUBBER		ON OUTRIGGERS	
	360°	FRONT	360°	FRONT	360°	FRONT	360°	FRONT
6	16000	16000	30000	30000	---	---	---	---
8	12500	12500	22400	22400	---	---	---	---
10	10000	10000	18500	18500	7500	7500	7500	7500
12	8040	8170	15700	15700	7500	7500	7500	7500
14	6500	6730	13500	13500	7500	7500	7500	7500
16	5330	5700	10800	10800	6140	7500	7500	7500
18	4450	4980	9560	9560	5010	6440	7500	7500
20	3720	4380	8550	8550	4200	5430	7500	7500
22	3140	3870	7700	7700	3580	4650	6850	6850
24	2680	3440	6980	6980	3080	4030	6250	6250
26	2300	3060	6300	6350	2660	3530	5750	5750
28	1980	2730	5550	5800	2290	3100	5300	5300
30	1700	2410	4930	5320	1990	2710	4920	4920
32	1470	2120	4410	4900	1730	2400	4580	4580
34	1260	1850	3960	4520	1510	2130	4270	4270
38	920	1300	3230	3870	1140	1680	3530	3760
42	640	950	2660	3340	840	1320	2960	3340
46	390	650	2210	2890	600	1040	2440	2980
50	0	550	1850	2520	410	800	2040	2630
54	---	---	---	---	0	600	1710	2290
58	---	---	---	---	0	430	1430	2000
62	---	---	---	---	0	290	1190	1740
66	---	---	---	---	0	0	980	1500

BOOM EXT. ANGLE	BOOM EXTENSION - STRAIGHT OR OFFSET							
	MAIN BOOM ANGLE							
	0°	15°	30°	40°	50°	60°	70°	
*0°	3000	3100	3450	3900	4650	6000	7500	
15°	---	3000	3000	3000	3000	3700	5000	
30°	---	---	2500	2500	2600	3100	3800	

\* USE 0° FOR STRAIGHT BOOM EXTENSION.



## GENERAL:

<b>Weight:</b>			
<b>Total</b>	29,485 lbs.		
<b>Front Axle</b>	14,606 lbs.		
<b>Rear Axle</b>	14,879 lbs.		
<b>Gradeability:</b>	75%		
<b>Turning Radius:</b>	12' 8"		
<b>Boom Movement:</b>	Rotation	Elevation	Extension*
	Continuous	0° to 73°	34' 6"
<b>Boom Speeds:</b>	2.2 RPM	16 sec.	53 sec.

\*(with synchronized hoist cable)

ENGINE:	Standard	Optional	Optional	Optional
<b>Make</b>	GM	Cummins	GM	Ford
<b>Model</b>	4.3L V-6	4BT3.9	4.3L V-6	4.2L V-6
<b>Type</b>	Gasoline	Turbo-Diesel	EFI*	EFI*
<b>No. Cyl.</b>	6	4	6	6
<b>Displacement</b>	262 CID	239 CID	262 CID	256 CID
<b>HP @ Gov.</b>				
<b>Speed</b>	110 H.P.	110 H.P.	110 H.P.	110 H.P.
<b>Fuel Tank Capacity</b>	30 Gallons			

\* Electronic Fuel Injection with Dual Fuel

## TRANSMISSION:

Powershift transmission with 4-speeds forward and reverse. Provides power shifts at any engine speed in any gear. All shifting is done with a single lever electrical control mounted on the steering column. Equipped with torque convertor and transmission oil cooler. Torque convertor has stall ratio of 2.2:1.

### Gear Ratio:

First	5.72:1	Third	1.77:1
Second	3.23:1	Fourth	1.00:1

## AXLES:

### Front Axle:

Planetary drive/steer front axle with 15.78 to 1.0 ratio. Differential equipped with "limited slip" feature. Front axle mounted rigidly to frame.

Gear	Travel Speed	Drawbar Pull*
First	3 MPH	20,440*
Second	6 MPH	11,430*
Third	11 MPH	6,140*
Fourth	19 MPH	3,350*

\*Drawbar pull is calculated for GM 4.3L engine

### Rear Axle:

#### Standard (2-Wheel Drive):

Steering axle with 1-1/2 degree oscillation in either direction.

#### Optional (4-Wheel Drive):

Planetary drive/steer axle with 24.98 to 1.0 ratio. Differential is not "limited slip" in rear axle. 1-1/2 degree oscillation in either direction. Axle ratio compatible with 4-wheel drive transmission output for front axle match. Transmission equipped with electro-hydraulic control for shifting between 2-wheel drive and 4-wheel drive.

## STEERING:

Full hydraulic steering unit with two 3-inch cylinders attached to each axle. Allows limited steering when engine is not running. A switch on the control panel is used to select rear-wheel steering or four-wheel steering.

## BRAKES:

**Service:** Split-system, 4-wheel hydraulic-boosted multiple-plate wet disc brakes.

**Parking:** Hand lever actuated disc-type parking brake on transmission.

## TIRES:

385/65R22.5, Load Range J radial, high-traction on/off road tread.

## CHASSIS:

### CARGO DECK:

78 sq. ft. of deck area. 17,000 lbs. capacity on deck when load is centered over or between axles. Steps located on front corners.

### OUTRIGGERS:

Four hydraulic outriggers of box beam construction with direct-connected holding valves. Independent controls for each outrigger. Outrigger pad dimension 11" x 16".

### ACCESSORY STORAGE BOX:

Storage box is 14" deep x 10-1/2" long x 36-1/2" wide, located in front cargo deck.

## ELECTRICAL:

### 12 Volt System

#### Lighting Package:

One pair headlights with high & low beams, tail, brake & turn signal lights & back-up lights in rear, front turn signals & emergency flasher switch at operator's station.

#### Instrument Package:

Fuel, ammeter, oil pressure, water temperature, transmission oil temperature gauges. All gauges are lighted. Hourmeter records hours only during actual engine operation. Also included are warning lights for low transmission pressure, turn signals, high beams, hazard lights, park brake and four-wheel drive.

#### Back-Up Alarm:

Provides pulsating sound when transmission is in reverse.

## HYDRAULIC SYSTEM:

Tandem pump, direct-driven by engine crankshaft, rated at 29 and 34 GPM at rated RPM. Hydraulic oil tank capacity of 48 gallons.

## BOOM ASSEMBLY:

Four-section boom assembly equipped with bearing pads, double-acting hydraulic cylinder & chain system telescopes booms proportionally. Telescope & boom elevation cylinders equipped with direct-connected holding valves. Boom angle indicator on each side of boom.

### Boom Rotation:

Heavy-duty ball bearing rotation gear with external teeth. Rotation is powered by hydraulic motor and worm gear drive.

### Boom Hoist:

Turret mounted planetary gear hoist hydraulically powered with a bare drum line pull of 10,000 lbs. at a line speed of 100 FPM. Includes downhaul weight, swivel hook & sheave block for 4-part line and 283 ft. of 1/2" hoist rope.

### Anti-Two-Block Device:

Prevents damage to hoist rope and/or crane components from pulling load hook against tip.

# IC-200-3D

Listed below are brief descriptions of each option available for the IC-200-3D Industrial Crane.  
Consult the IC-200-3D Engineering Spec for additional information on each option.

## MODEL:

**IC-200-3D** Industrial Crane  
with 15' 6"-50' 0" Boom

## ENGINE OPTIONS:

### GM 4.3 L V-6 EFI with Dual Fuel

Compliant Certified.

### Ford 4.2 L V-6 EFI with Dual Fuel

Compliant Certified.

### Diesel Engine

Cummins Turbo-4BT3.9

### Spark Arrester Muffler

Installed in addition to std. muffler.

### Catalytic Converter

Reduces engine emissions.

### Engine Heater

Engine coolant heater installed to circulate warm water through engine, plugs into 120 volt AC.

### Ether Injection System

Ether starting aid controlled by switch in operator compartment and injects ether directly into intake manifold.

### Engine Shut Down Gauges

Shuts engine off when high water temperature or low engine oil pressure occurs.

## AXLE & STEERING OPTIONS:

### 4-Wheel Steer & 2-Wheel Drive

### 4-Wheel Steer & 4-Wheel Drive

## TIRE OPTIONS:

### Foam Filling of Tires

### Spare Tire & Wheel

## CHASSIS OPTIONS:

### Auxiliary Winch

Mounted behind front bumper, hydraulically driven with control in operator's console.

### Pintle Hook:

#### Pintle Hook, Rear

#### Pintle Hook, Front

### Headlight and Taillight Grilles

Welded steel protective grilles for headlights and taillights.

### Rearview Mirrors

One mounted on right-hand deck stake and one mounted on left-hand deck stake.

## CHASSIS OPTIONS: (Cont'd)

### Lifting Rings

Lifting rings at each corner of cargo deck so sling can be attached for lifting crane.

## OPERATOR COMPARTMENT

### OPTIONS:

#### Operator Guard

Tubular steel weldment with heavy expanded steel mesh top section.

#### Operator Guard Cover

Clear vinyl cover over Operator Guard, for inclement weather operations.

#### Operator Guard Door

Hinged door covers operator compartment side opening.

#### All Weather Cab

Rigid-mounted canopy section and removable hinged door. Includes heater, electric windshield wiper, one sliding glass window in the door & one in the right side of canopy. Defroster fan & dome light included.

#### Cab Heater Only

Heater with two-speed fan for units without All Weather Cab.

#### Windshield Washer

Includes reservoir, pump and nozzle.

#### Floor Mat

Vinyl mat with foam backing.

#### Operator Suspension Seat

Provides additional operator comfort.

#### Noise Reduction Kit

Includes floor mat, control valve cover and side panels of foam backed vinyl for noise reduction.

#### Air Conditioning

Air Conditioner with R 134 coolant.

## ELECTRICAL OPTIONS:

### Outrigger Alarm System

Two-tone alarm is activated when "outrigger down" controls are operated.

### Strobe Lights

Yellow strobe light mounted on each side of turret weight box.

### Amber Rotating Beacons

Amber rotating beacon mounted on each side of turret weight box.

## ELECTRICAL OPTIONS: (Cont'd)

### Boom Work Lights

One work light mounted to boom to light boom tip and one work light mounted to turret to light ground under boom tip.

### Boom Work Lights and Beacons

Boom work lights and amber rotating beacons installed.

### Boom Work Lights and Strobes

Boom work lights and strobe lights installed.

## BOOM ATTACHMENTS:

### Boom Extension, 16 Ft., Offset

Boom stowable. Boom extension is offsettable to 3 different positions; 0 degree (inline), 15 degree and 30 degree offset.

### Sheave Block - Two-Part

### Searcher Hook:

#### Nose Mount

#### Link Under Tip

### Load Moment Indicator

Warns operator of impending over load with audible and visual signals. Prevents over load by stopping boom functions that cause over loads. Readouts for load, boom angle, boom length and load radius.

### Load Indicator

Includes 3-sheave load sensor on top of boom and readout box on top of instrument panel.

Should you, as an end user, require an option or special equipment on your IC-200-3D that is not listed on our sales literature, please contact your dealer salesperson or the factory to receive a special quoted price.

**DMC BRODERSON**  
Manufacturing Corp.

P.O. Box 14770, Lawrence, KS 66285-4770  
14741 West 106th St. • Lawrence, KS 66215-2015  
(913) 898-0806 • FAX (913) 898-8431  
Website: [brocranes.com](http://brocranes.com)