



AT A GLANCE:

- Rated Capacity - 8,000 pounds
- Vertical Reach - 26 feet
- Horizontal Reach - 19 feet
- 360 Degree Rotation
- Carry Deck
- Hydraulic Outriggers

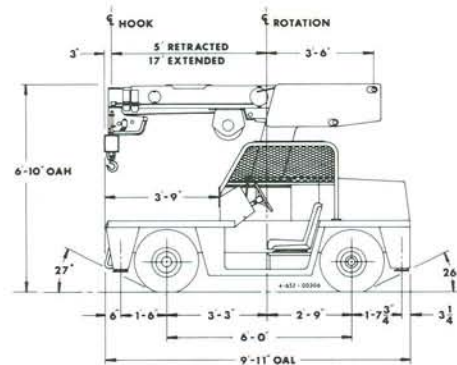
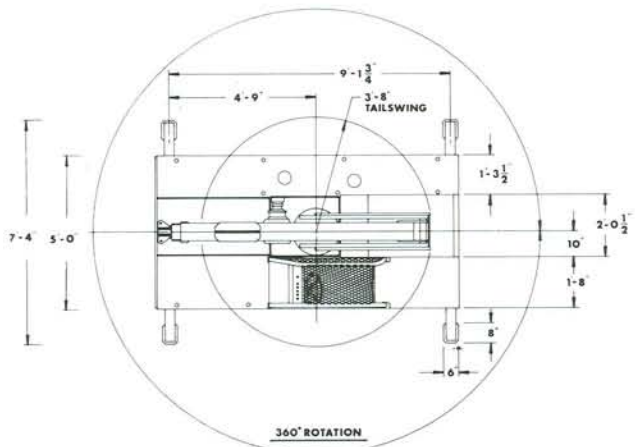
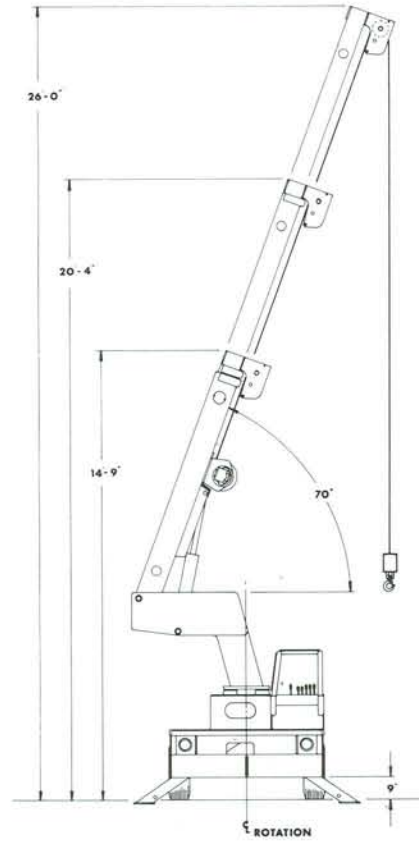
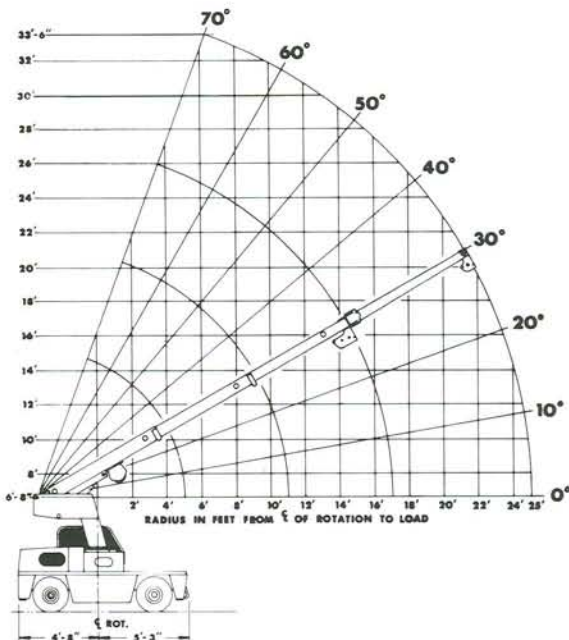
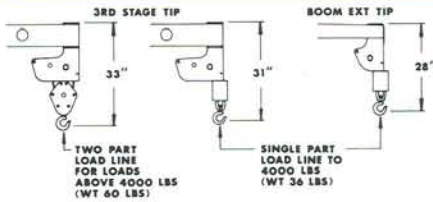
BMC BRODERSON
Manufacturing Corp.

P.O. Box 14770, Lenexa, KS 66285-4770
(913) 888-0606 • FAX (913) 541-0690

IC-35-1B

LOAD RADIUS FEET	MAIN BOOM CAPACITY IN POUNDS								
	360° ROTATION		OVER FRONT						
	ON RUBBER	ON OUTRIGGERS	ON RUBBER	ON OUTRIGGERS					
MAIN BOOM	3	6000	7000	7000	8000				
	4	5000	6000	6000	6000				
	5	4500	4500	4500	4500				
	6	3400	4350	4350	4350				
	8	1950	3500	3500	3500				
	10	1350	2900	2500	2900				
	12	1000	2500	1900	2500				
	14	800	2050	1550	2200				
	16	650	1650	1250	1950				
8' BOOM EXTENSION	18	550	1350	1100	1350				
	20	450	1200	950	1200				
	22	350	1050	800	1150				
	24	300	900	700	1100				
	25	200	800	600	1000				
	BOOM ANGLE		0°	10°	20°	30°	40°	50°	60°
CAPACITY		1050	1100	1150	1200	1300	1500	1900	2500

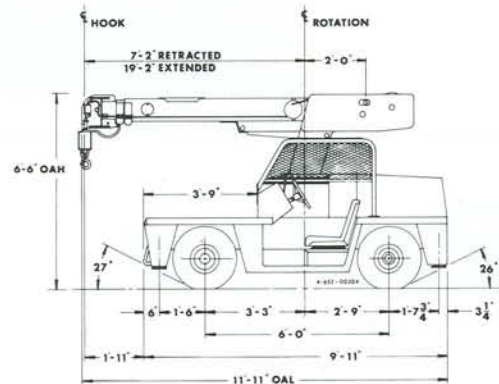
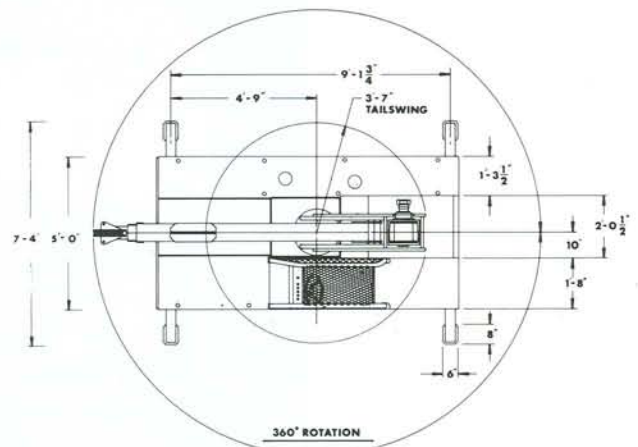
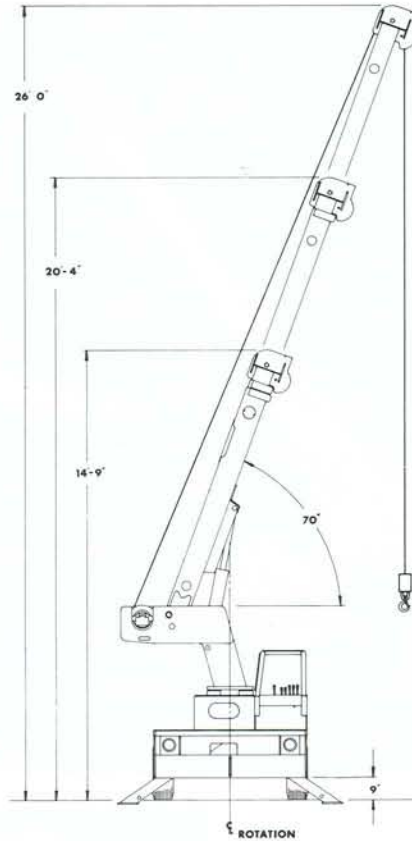
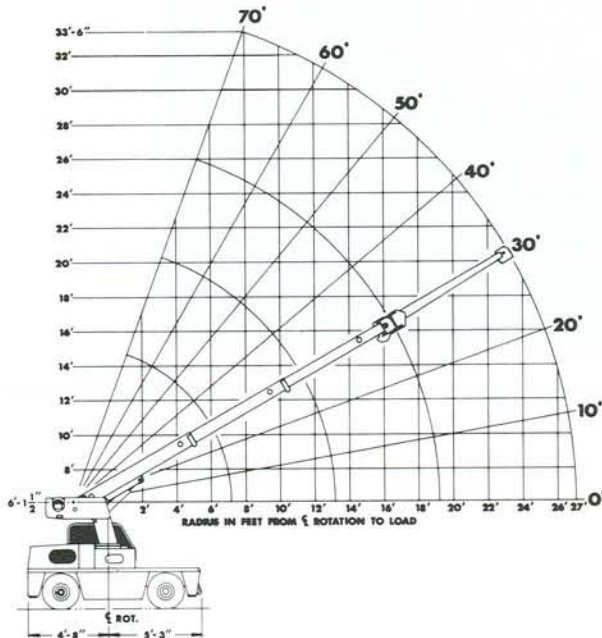
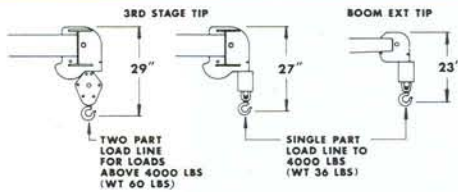
Capacities on outriggers are 85% of tipping loads. Capacities on rubber are 75% of tipping loads. Capacities below **BOLD** line are limited by tipping. Other capacities are limited by structural or hydraulic capabilities. Caution: Boom extension loads must not exceed main boom capacity.



IC-35-2B

LOAD RADIUS FEET	MAIN BOOM CAPACITY IN POUNDS								
	360° ROTATION		OVER FRONT						
	ON RUBBER	ON OUTRIGGERS	ON RUBBER	ON OUTRIGGERS					
MAIN BOOM	4	5000	8000	6700	8000				
	5	4000	6800	5800	6800				
	6	2850	5850	5100	5850				
	8	1800	4150	3500	4150				
	10	1250	3200	2350	3400				
	12	900	2350	1750	2850				
	14	700	1850	1350	2450				
	16	600	1500	1100	2150				
	18	500	1250	950	1950				
8' BOOM EXTENSION	19	450	1150	900	1850				
	20	400	1100	850	1600				
	22	300	900	700	1450				
	24	250	800	600	1300				
	26	200	700	500	1150				
	27	150	650	450	1100				
	BOOM ANGLE	0°	10°	20°	30°	40°	50°	60°	70°
	CAPACITY	1100	1200	1300	1450	1600	1850	2300	3500

Capacities on outriggers are 85% of tipping loads. Capacities on rubber are 75% of tipping loads. Capacities below **BOLD** line are limited by tipping. Other capacities are limited by structural or hydraulic capabilities.
Caution: Boom extension loads must not exceed main boom capacity.



GENERAL:

- **Weight**
 IC-35-1B - 7,500 pounds
 IC-35-2B - 7,100 pounds
- **Travel Speed** - 0 to 10 MPH
- **Drawbar Pull** - 2,300 pounds
- **Gradeability** - 31% (17 Degrees)

ENGINE:

	Standard	Optional
• Make	Ford	Perkins
• Model	VSG413	104.19-IDI
• Type	Gas	Diesel
• No. of Cylinders	4	4
• Displacement	79 CID	122 CID
• HP @ Governed Speed	42 HP	42 HP

Fuel Tank Capacity - 13.5 Gallons

HYDROSTATIC PUMP:

Piston type, driveline driven from engine crankshaft.
 Maximum flow 36 GPM, maximum pressure 4,000 PSI.

AXLES:

- **Front Drive Axle:**
 Contains torque hubs and hydraulic drive motors.
 Axle oscillates a total of 1-1/2".
- **Rear Steering Axle:**
 Fixed rigid to frame

STEERING:

Full hydraulic unit with one double-acting 2-1/2" cylinder attached to rear axle.

BRAKES:

Primary braking from hydrostatic transmission. Front actuated disc service brake built into each torque hub. Overcenter park brake lever provided.

TIRES:

7.50 x 10 pneumatic, 16-ply rating, front & rear.

OUTRIGGER:

Four hydraulic outriggers with box beam construction. Hydraulic cylinders are equipped with direct-connected holding valves.

CARGO DECK:

29 sq. ft. deck area, 6,000 pounds capacity over front axle.

PULLING EYE:

Mounted on front bumper.

ELECTRICAL:

- **12 Volt System**
- **Lighting Group:**
 1 pair headlights & 1 pair taillights.
- **Instrument Group:**
 Fuel, ammeter, oil pressure, water temperature, hydrostatic oil temperature gauges, hourmeter.
- **Back-Up Alarm:**
 Provides pulsating sound when transmission is in reverse.

HYDRAULIC SYSTEM:

Tandem pump mounted to rear of hydrostatic piston pump. Delivers 6 GPM at 2,600 PSI for boom circuits & 18 GPM at 2,600 PSI for boom circuit. System protected by relief valves. Hydraulic oil tank has 14 gallons capacity. Hydraulic oil cooler provided.

CRANE:

- **Boom Movement:**
 Rotation 360 Degrees (Continuous Rotation, Optional) Elevation 0 to 70 Degrees
- **Extension:**
 IC-35-1B - 5' to 17'
 IC-35-2B - 7' to 19'
- **Boom Speeds:**
 Rotation 360 Degrees in 40 seconds
 Elevation - 19 seconds
 Extension - 36 seconds
- **Boom Assembly:**
 Three-section boom assembly equipped with bearing pads, double-acting hydraulic cylinders equipped with direct-connected holding valves and boom angle indicators on each side of boom.
- **Hydraulic Hoist:**
 Planetary gear hoist, hydraulically powered with bare drum line pull of 4,600 lbs. and a line speed of 86 FPM. Hoist includes 85 ft. of 3/8 inch wire rope, downhaul weight, swivel hook and sheave block for 2-part line.
Location:
 IC-35-1B - Boom
 IC-35-2B - Turret
- **Boom Rotation:**
 Heavy-duty ball bearing rotation gear with external teeth. Rotation is powered by hydraulic motor and worm gear drive.
- **Anti-Two Block Device with Trip Arm:**
 Prevents damage to hoist rope and/or machine components. Dumps hydraulics for Hoist Raise, Telescope Extend and Boom Lower.

IC-35-B

Listed below are brief descriptions of each option available for the IC-35-B Industrial Cranes. Consult the IC-35-B Engineering Spec for additional information on each option.

MODELS:

1. IC-35-1B Industrial Crane with 5' to 17' Boom.
2. IC-35-2B Industrial Crane with 7' to 19' Boom.

ENGINE:

3. **LP Gas System Kit**
Contains all necessary components for LP Gas.
4. **Dual Fuel System Kit**
Contains all necessary components to burn LPG or gasoline.
5. **Perkins Diesel Engine**
Perkins Model 104.19-IDI.
6. **Spark Arrester Muffler**
Installed in addition to standard muffler.
7. **Engine Shutdown Gauges**
Shuts engine off when high water temperature or low engine oil pressure occurs.

TIRES:

8. **Solid Rubber Tires**
For applications where hazardous ground conditions exist.
9. **Foam Filled Tires**
Standard tires foam filled to prevent flats.
10. **Spare Tire & Wheel**
7.50 x 10, 16-ply (front & rear wheels different).

CHASSIS:

11. **Auxiliary Winch**
Mounted behind front bumper, hydraulically driven with control in operators console (3,000 lbs. @ 20 FPM).
12. **Pintle Hook**
Holland "T-60-A" pintle hook mounted on rear of frame. 5-ton capacity
13. **Lifting Rings**
Consists of four rings, one at each corner of the load deck.
14. **Lifting Sling**
Sling to attach to Lifting Rings.

15. Headlight & Taillight Grilles

Welded steel protective grilles for headlights and taillights.

16. Individual Outrigger Controls

Consists of extra valve sections and two control handles to provide control to each outrigger.

OPERATOR COMPARTMENT:

17. All Weather Cab

Rigid-mounted canopy section & removable hinged door. Cab door adds 4 inches to crane width. Includes heater, windshield wiper, defroster fan, sliding window in door and a fold out window in rear. Cannot be used with Operator Guard.

18. Cab Enclosure

Consists of rigid mounted canopy section with laminated glass front and top. Includes windshield wiper and fold out window in rear. Does not include door, heater or defroster fan.

19. Cab Heater

Heater with two-speed fan, for units without All Weather Cab.

20. Operator Guard

Tubular steel weldment with heavy expanded steel mesh top section.

21. Operator Guard Cover

Canvas cover with windows to go over Operator Guard, for inclement weather operations.

22. Floor Mat

Vinyl mat with foam backing.

ELECTRICAL:

23. Lighted Instrument Gauges

Instrument gauges equipped with lights for night operations.

24. Outrigger Warning System

Two-tone alarm is activated when "Outrigger Down" controls are operated.

25. Strobe Lights

Two yellow strobe lights mounted to turntable.

26. Boom Work Lights

One work light mounted to boom to light boom tip and one work light mounted to turret.

WIRE ROPE:

27. **Wire Rope** - IC-35-2B Only
140 ft. of 3/8" dia.

SWING OPTION:

28. Continuous Rotation

Hydraulic swivel with three electric slip rings.

29. Continuous Rotation with Strobe & Work Lights

Hydraulic swivel with four electric slip rings and Work Lights.

BOOM ATTACHMENTS:

30. Boom Extension

8 foot, boom stowable.

31. Searcher Hook

2,000 pound capacity. Swivel hook with spring latch hangs from support structure projecting outward from boom tip.

32. Load Indicator

Three sheave load sensor on top of boom. Readout on top of instrument panel.

33. Load Moment Indicator

Warns operator of impending overload with audible and visual signals. Prevents overload by stopping boom functions that cause overloads. Readouts for load, boom angle, boom length and load radius.

Should you, as an end user, require an option or special equipment on your IC-35-B that is not listed on our sales literature, please contact your dealer salesperson or the factory to receive a special quoted price.



IC-35-B



IC-20



IC-200



IC-80

BMC BRODERSON
Manufacturing Corp.

P.O. Box 14770, Lenexa, KS 66285-4770
(913) 888-0606 • FAX (913) 541-0690