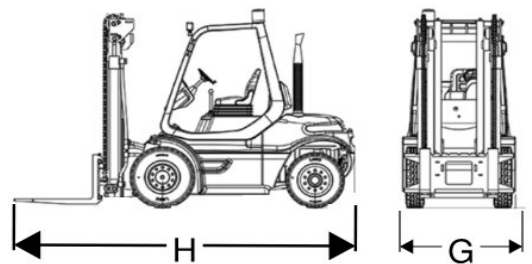
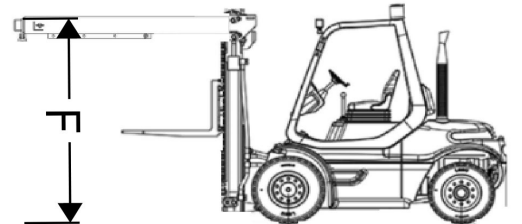
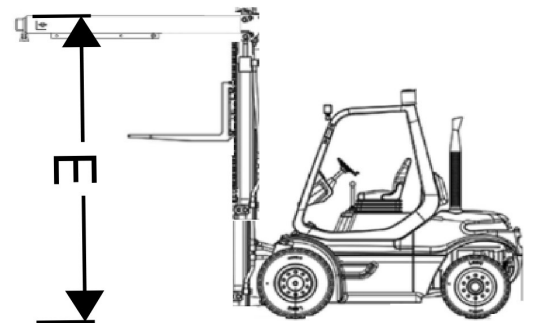
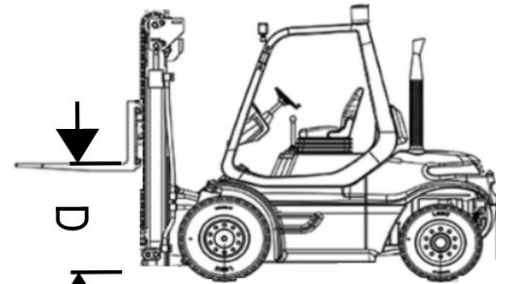
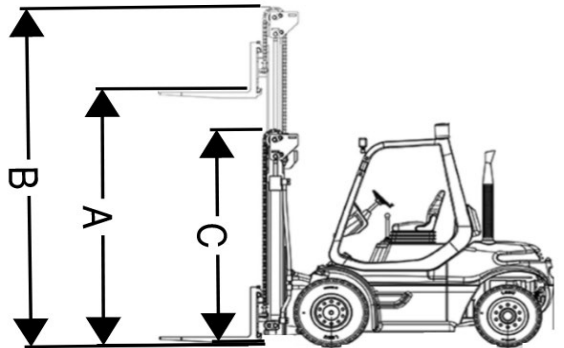




Home of the Rigger Special

MAKE: HYSTER	MODEL: W 40 XTC
UNIT# 100561	SERIAL# A454N02155Y
MAXIMUM FORK HEIGHT.....	(A) 169"
OVERALL RAISED HEIGHT.....	(B) 192"
OVERALL LOWERED HEIGHT.....	(C) 77"
FREE FORK HEIGHT.....	(D) 53"
OVERALL RAISED HEIGHT W/BOOM	(E) _____
OVERALL LOWERED HEIGHT W/BOOM	(F) _____
TRUCK WIDTH.....	(G) 40"
TRUCK LENGTH.....	(H) 82" + FORKS
FORK LENGTH	4'
FORK WIDTH	4"
WEIGHT OF TRUCK	lbs# 6390
COUNTERWEIGHT(S)	lbs# 0
CAPACITY	lbs# 3600 @24"
GM SPECS:	YES X NO _____
SIDE SHIFT:	YES X NO _____
FORK POSITIONERS:	YES NO _____
FUEL TYPE:	L.P.: GAS: DIESEL: ELECTRIC: X
HYDRAULIC BOOM:	YES NO _____
TIRE TYPE:	PNEUMATIC: CUSHION: X
FRONT TIRE SIZE:	_____
REAR TIRE SIZE:	_____
FILTERS.....	
OIL(P/N):	_____
AIR(P/N):	_____
FUEL(P/N):	_____



ADDITIONAL COMMENTS:

\_\_\_\_\_

\_\_\_\_\_

\_\_\_\_\_