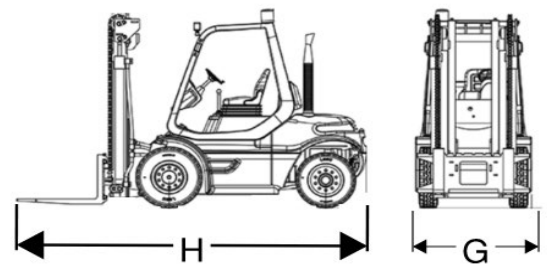
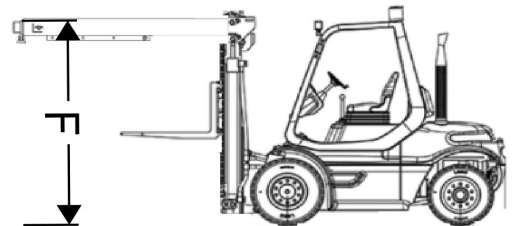
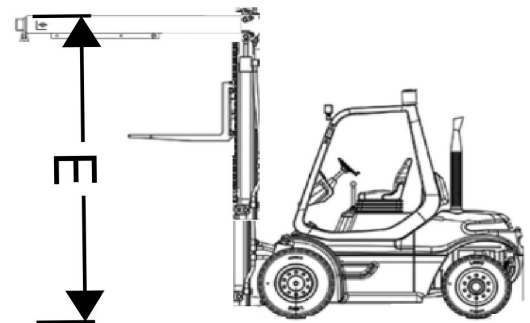
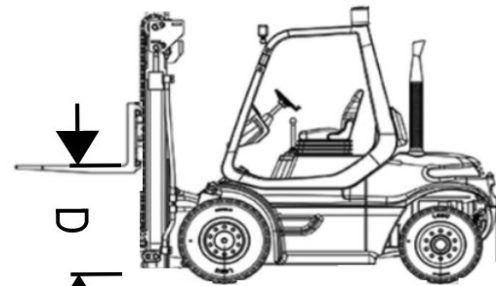
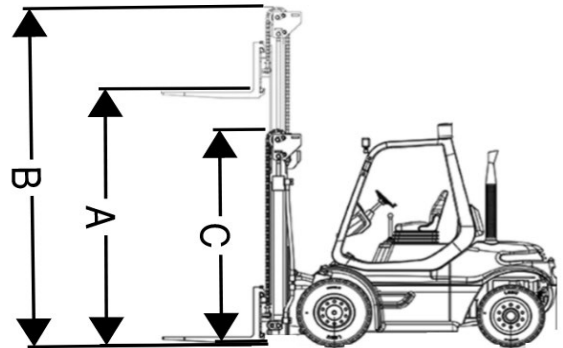




Home of the Rigger Special

MAKE: YALE	MODEL: GLC155VXNGJV087
UNIT# 100736	SERIAL# D879V01833J
MAXIMUM FORK HEIGHT.....	(A) 96"
OVERALL RAISED HEIGHT.....	(B) 143"
OVERALL LOWERED HEIGHT.....	(C) 96"
FREE FORK HEIGHT.....	(D) 21"
OVERALL RAISED HEIGHT W/BOOM	(E) 224"
OVERALL LOWERED HEIGHT W/BOOM	(F) 97"
TRUCK WIDTH.....	(G) 59"
TRUCK LENGTH.....	(H) 119"
FORK LENGTH	6'
FORK WIDTH	6"
WEIGHT OF TRUCK	lbs# 21,080
COUNTERWEIGHT(S)	lbs#
CAPACITY	lbs# 15,000 @24"
GM SPECS: YES X NO	
SIDE SHIFT:	
FORK POSITIONERS: YES X NO	
FUEL TYPE: L.P.: X GAS: DIESEL: ELECTRIC:	
HYDRAULIC BOOM: YES X NO	
TIRE TYPE: PNEUMATIC CUSHION X	
FRONT TIRE SIZE: 28X12X22 NON MARKING	
REAR TIRE SIZE: 22X8X16 NON MARKING	
FILTERS.....	
OIL(P/N): DONALDSON P550051	
AIR(P/N): DONALDSON P616742	
FUEL(P/N):	



ADDITIONAL COMMENTS:

AUTOMATIC TRANS, COLUMN SHIFT