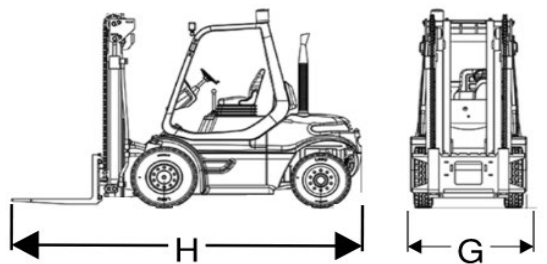
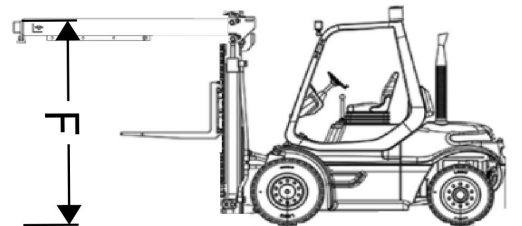
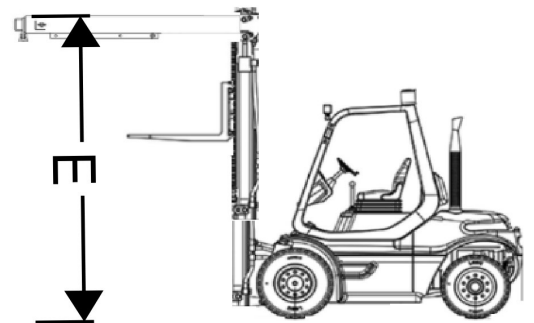
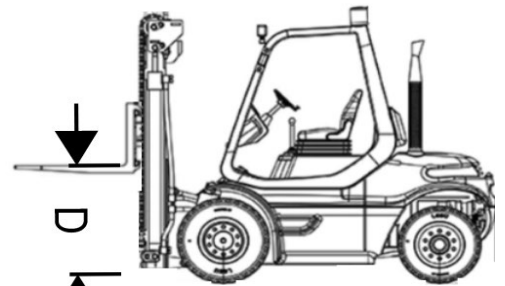
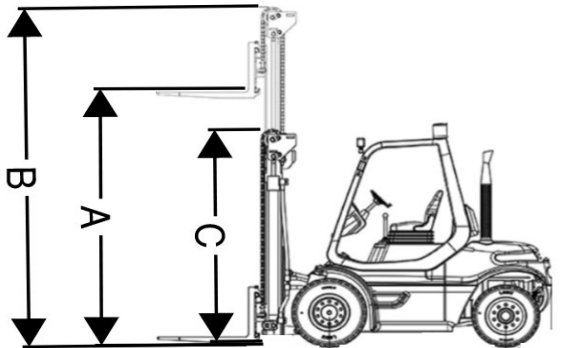




Home of the Rigger Special

MAKE: HYSTER	MODEL: 5155XL
UNIT# 100816	SERIAL# B024D017921
MAXIMUM FORK HEIGHT.....	(A) 143"
OVERALL RAISED HEIGHT.....	(B) 186"
OVERALL LOWERED HEIGHT.....	(C) 88"
FREE FORK HEIGHT.....	(D) 42"
OVERALL RAISED HEIGHT W/BOOM	(E) _____
OVERALL LOWERED HEIGHT W/BOOM	(F) _____
TRUCK WIDTH.....	(G) 56"
TRUCK LENGTH.....	(H) 106" +8' FORKS
FORK LENGTH	8'
FORK WIDTH	5-7/8"
WEIGHT OF TRUCK	lbs# 20,600
COUNTERWEIGHT(S)	lbs# _____
CAPACITY	lbs# 15,200
GM SPECS:	YES X NO _____
SIDE SHIFT:	YES NO _____
FORK POSITIONERS:	YES NO _____
FUEL TYPE:	L.P.: X GAS: X DIESEL: _____ ELECTRIC: _____
HYDRAULIC BOOM:	YES NO _____
TIRE TYPE:	PNEUMATIC CUSHION X _____
FRONT TIRE SIZE:	28X12X22 _____
REAR TIRE SIZE:	22X8X16 _____
FILTERS.....	_____
OIL(P/N):	_____
AIR(P/N):	42222 WIX _____
FUEL(P/N):	LP ONLY _____



ADDITIONAL COMMENTS:
