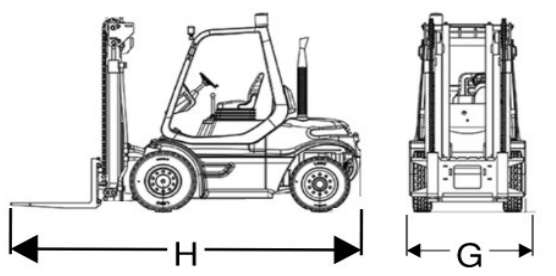
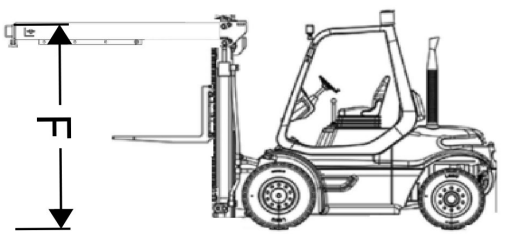
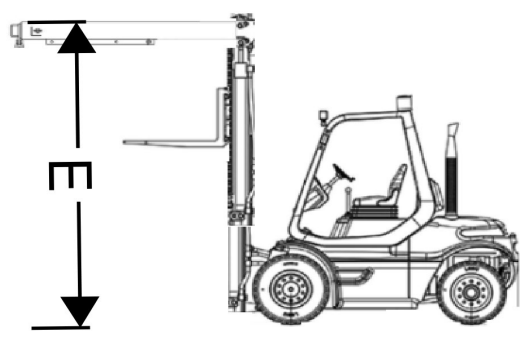
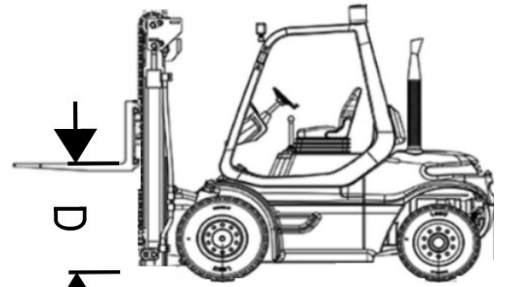
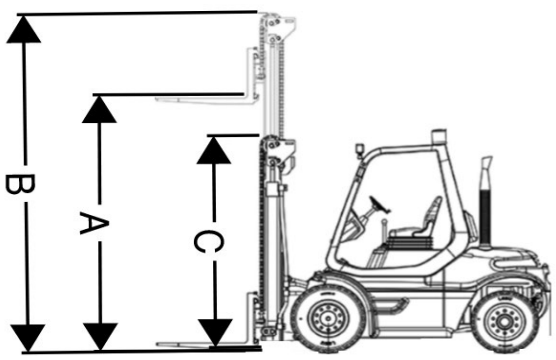




Home of the Rigger Special

MAKE: HYSTER	MODEL: 5155XL
UNIT# 100818	SERIAL# B024D038525
MAXIMUM FORK HEIGHT.....	(A) <u>144"</u>
OVERALL RAISED HEIGHT.....	(B) <u>187 1/2"</u>
OVERALL LOWERED HEIGHT.....	(C) <u>88"</u>
FREE FORK HEIGHT.....	(D) <u>44"</u>
OVERALL RAISED HEIGHT W/BOOM	(E) _____
OVERALL LOWERED HEIGHT W/BOOM	(F) _____
TRUCK WIDTH.....	(G) <u>56"</u>
TRUCK LENGTH.....	(H) <u>116" + 6' FORKS</u>
FORK LENGTH	<u>6'</u>
FORK WIDTH	<u>6"</u>
WEIGHT OF TRUCK	lbs# <u>21,100</u>
COUNTERWEIGHT(S)	lbs# _____
CAPACITY	lbs# <u>15,000</u>
GM SPECS:	YES NO X
SIDE SHIFT:	YES NO
FORK POSITIONERS:	YES NO
FUEL TYPE:	L.P.: X GAS: DIESEL: ELECTRIC:
HYDRAULIC BOOM:	YES NO
TIRE TYPE:	PNEUMATIC CUSHION X
FRONT TIRE SIZE:	<u>28X12X22</u>
REAR TIRE SIZE:	<u>22X8X16</u>
FILTERS.....	
OIL(P/N):	<u>51036 WIX</u>
AIR(P/N):	<u>42222 WIX</u>
FUEL(P/N):	_____



ADDITIONAL COMMENTS:

BELT- GATES K060930

LP ONLY