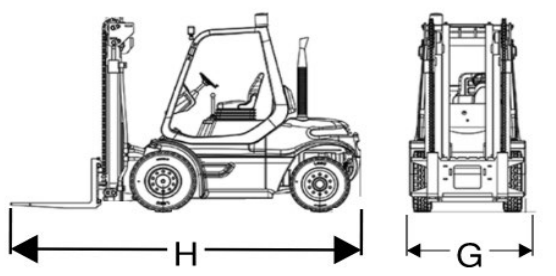
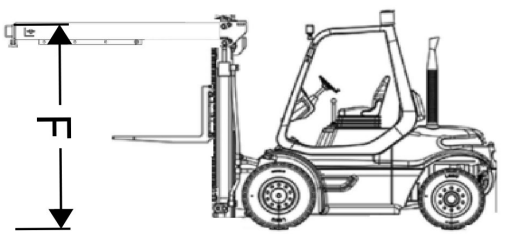
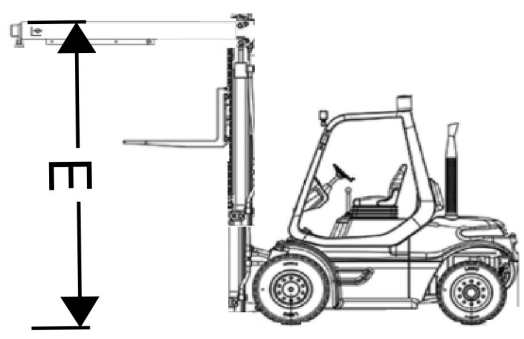
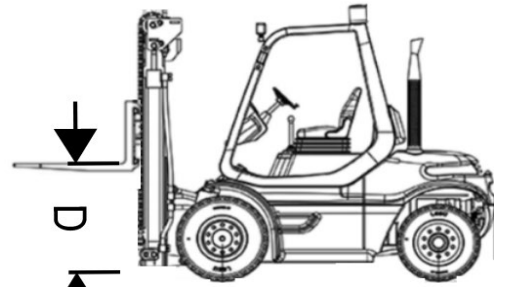
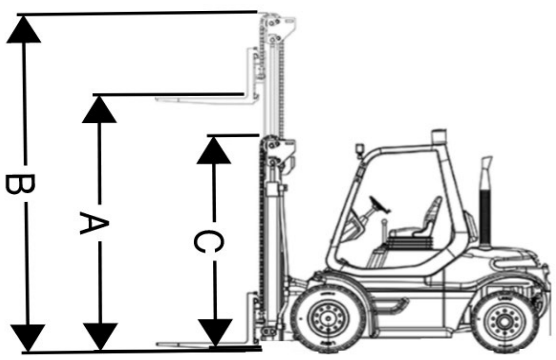




Home of the Rigger Special

MAKE: HYSTER	MODEL: S155XL
UNIT# 100820	SERIAL# B024D02922R
MAXIMUM FORK HEIGHT.....	(A) <u>144"</u>
OVERALL RAISED HEIGHT.....	(B) <u>251"</u>
OVERALL LOWERED HEIGHT.....	(C) <u>88"</u>
FREE FORK HEIGHT.....	(D) <u>52"</u>
OVERALL RAISED HEIGHT W/BOOM	(E) <u>251"</u>
OVERALL LOWERED HEIGHT W/BOOM	(F) <u>88"</u>
TRUCK WIDTH.....	(G) <u>56"</u>
TRUCK LENGTH.....	(H) <u>116"</u>
FORK LENGTH	<u>6'</u>
FORK WIDTH	<u>6"</u>
WEIGHT OF TRUCK	lbs# <u>21,100</u>
COUNTERWEIGHT(S)	lbs# <u>ATTACHED</u>
CAPACITY	lbs# <u>15,000 @ 24"</u>
GM SPECS:	<u>YES NO X</u>
SIDE SHIFT:	<u>YES NO</u>
FORK POSITIONERS:	<u>YES NO</u>
FUEL TYPE:	<u>L.P.: X GAS: X DIESEL: ELECTRIC:</u>
HYDRAULIC BOOM:	<u>YES NO X</u>
TIRE TYPE:	<u>PNEUMATIC CUSHION X</u>
FRONT TIRE SIZE:	<u>28X12X22</u>
REAR TIRE SIZE:	<u>22X8X16</u>
FILTERS.....	
OIL(P/N):	<u>PH3980</u>
AIR(P/N):	<u>42222</u>
FUEL(P/N):	<u>BF853 BALDWIN</u>



ADDITIONAL COMMENTS:
