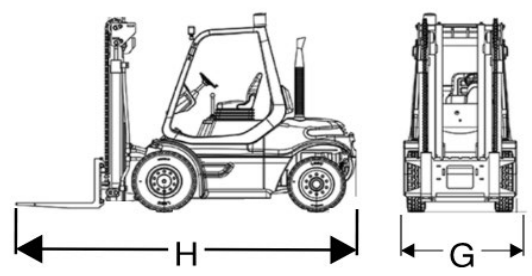
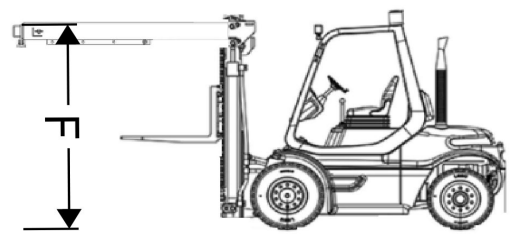
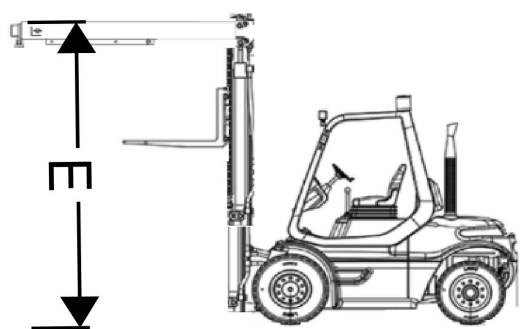
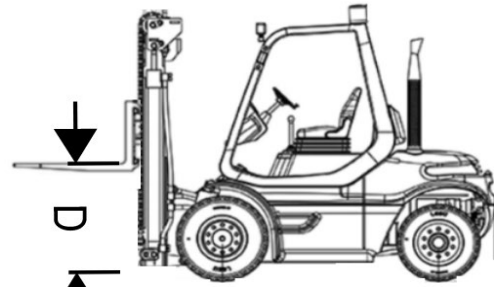
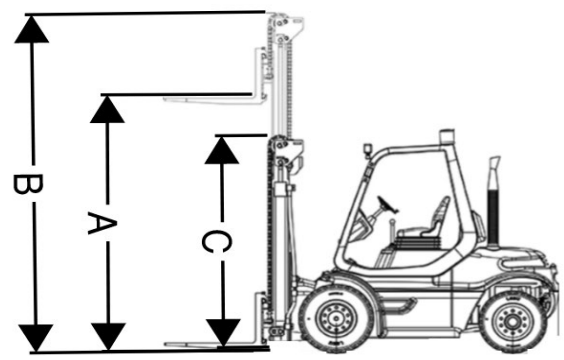




Home of the Rigger Special

MAKE: HYSTER	MODEL: S155XL
UNIT# 100833	SERIAL# B024D01577R
MAXIMUM FORK HEIGHT.....	(A) 134"
OVERALL RAISED HEIGHT.....	(B) 181"
OVERALL LOWERED HEIGHT.....	(C) 106"
FREE FORK HEIGHT.....	(D) _____
OVERALL RAISED HEIGHT W/BOOM	(E) _____
OVERALL LOWERED HEIGHT W/BOOM	(F) _____
TRUCK WIDTH.....	(G) 57"
TRUCK LENGTH.....	(H) 111"
FORK LENGTH	6'
FORK WIDTH	6"
WEIGHT OF TRUCK	lbs# 20,300
COUNTERWEIGHT(S)	lbs# _____
CAPACITY	lbs# 15,000
GM SPECS:	YES NO X
SIDE SHIFT:	YES NO
FORK POSITIONERS:	YES NO
FUEL TYPE:	L.P.: X GAS: DIESEL: ELECTRIC:
HYDRAULIC BOOM:	YES NO
TIRE TYPE:	PNEUMATIC CUSHION X
FRONT TIRE SIZE:	28X12X22
REAR TIRE SIZE:	22X8X16
FILTERS.....	
OIL(P/N):	51036
AIR(P/N):	42222
FUEL(P/N):	



ADDITIONAL COMMENTS:

FIRE EXT
