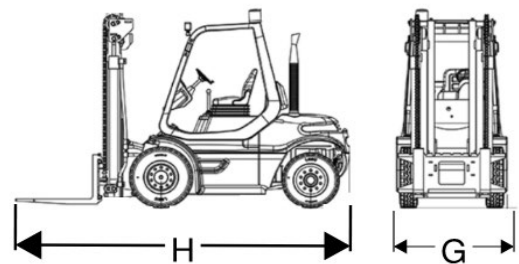
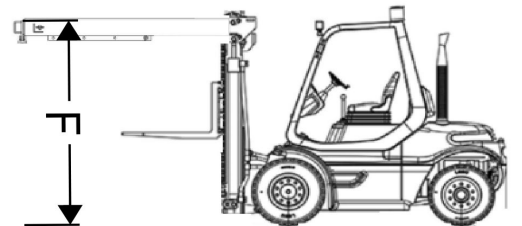
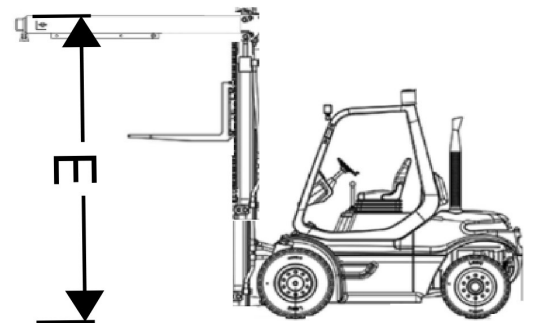
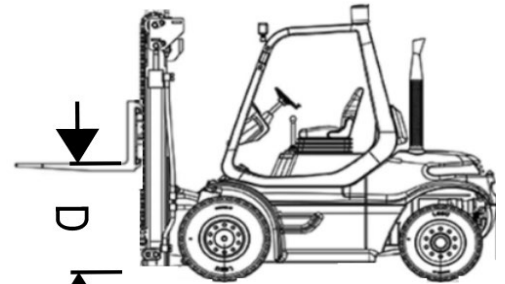
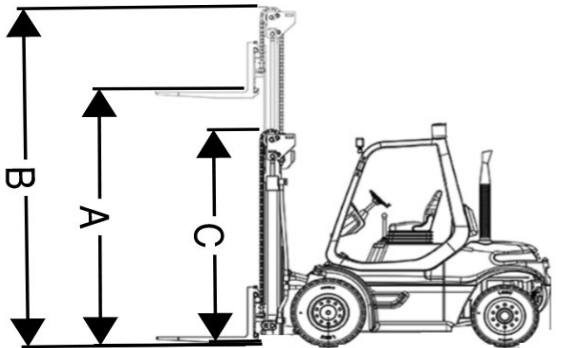




Home of the Rigger Special

MAKE: HYSTER	MODEL: S155XL
UNIT# 100834	SERIAL# B024D01530K
MAXIMUM FORK HEIGHT.....	(A) 218"
OVERALL RAISED HEIGHT.....	(B) 266"
OVERALL LOWERED HEIGHT.....	(C) 111"
FREE FORK HEIGHT.....	(D) 0"
OVERALL RAISED HEIGHT W/BOOM	(E) 344"
OVERALL LOWERED HEIGHT W/BOOM	(F) 111"
TRUCK WIDTH.....	(G) 56 1/2"
TRUCK LENGTH.....	(H) 133" +FORKS
FORK LENGTH	6' OR 8'
FORK WIDTH	6" 45" SPREAD
WEIGHT OF TRUCK	lbs# 20,700 + BOOM
COUNTERWEIGHT(S)	lbs#
CAPACITY	lbs# 15,000
GM SPECS:	YES X NO
SIDE SHIFT:	YES NO
FORK POSITIONERS:	YES NO
FUEL TYPE:	L.P.: X GAS: DIESEL: ELECTRIC:
HYDRAULIC BOOM:	YES NO
TIRE TYPE:	PNEUMATIC CUSHION X
FRONT TIRE SIZE:	28X12X22
REAR TIRE SIZE:	22X8X16
FILTERS.....	
OIL(P/N):	
AIR(P/N):	
FUEL(P/N):	



ADDITIONAL COMMENTS:

4.3 CHEVY V6, STICK TRANS, 3 STAGE MAST (TALL)
