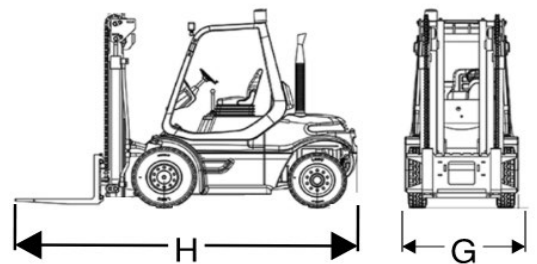
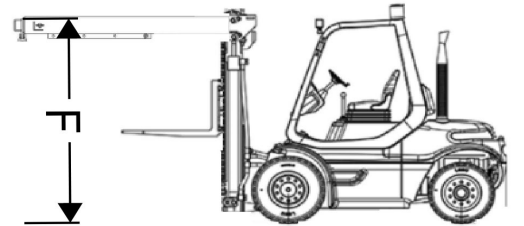
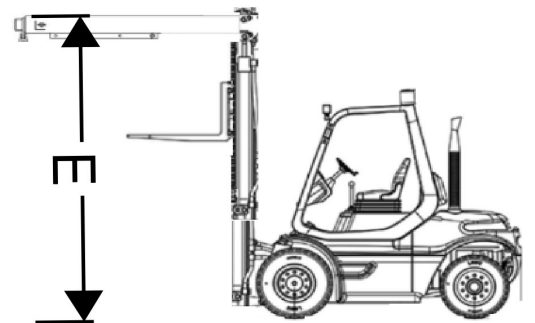
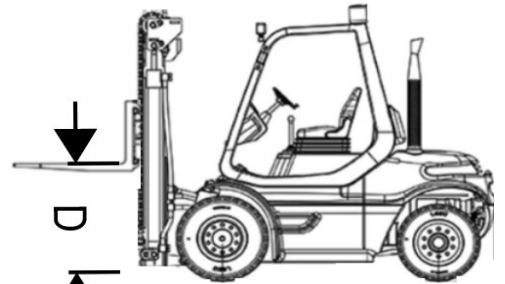
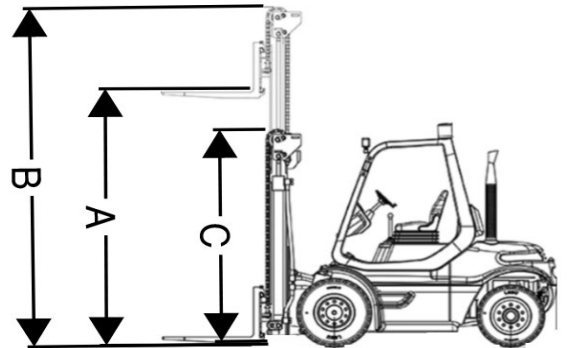




Home of the Rigger Special

MAKE: HYSTER	MODEL: S155XL
UNIT# 100861	SERIAL# BO24D05864W
MAXIMUM FORK HEIGHT.....	(A) 216"
OVERALL RAISED HEIGHT.....	(B) 262"
OVERALL LOWERED HEIGHT.....	(C) 111"
FREE FORK HEIGHT.....	(D) 65"
OVERALL RAISED HEIGHT W/BOOM	(E) _____
OVERALL LOWERED HEIGHT W/BOOM	(F) _____
TRUCK WIDTH.....	(G) 57"
TRUCK LENGTH.....	(H) 125" LESS FORKS
FORK LENGTH	72"
FORK WIDTH	6"
WEIGHT OF TRUCK	lbs# 22,700
COUNTERWEIGHT(S)	lbs# _____
CAPACITY	lbs# 11,800 @ 24"
GM SPECS:	YES NO X
SIDE SHIFT:	YES NO ROTATOR
FORK POSITIONERS:	YES NO
FUEL TYPE:	L.P.: X GAS: DIESEL: ELECTRIC:
HYDRAULIC BOOM:	YES NO
TIRE TYPE:	PNEUMATIC CUSHION X
FRONT TIRE SIZE:	711/305-559
REAR TIRE SIZE:	22X9X16
FILTERS.....	
OIL(P/N):	51036 WIX
AIR(P/N):	42222 WIX
FUEL(P/N):	VFF 30



ADDITIONAL COMMENTS:

LP ONLY, FIRE EXT, 3 STAGE TALL MAST

\_\_\_\_\_

\_\_\_\_\_