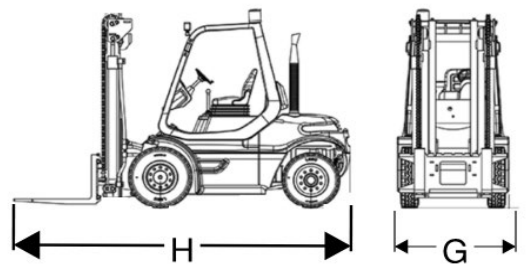
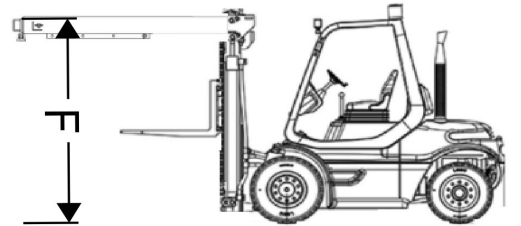
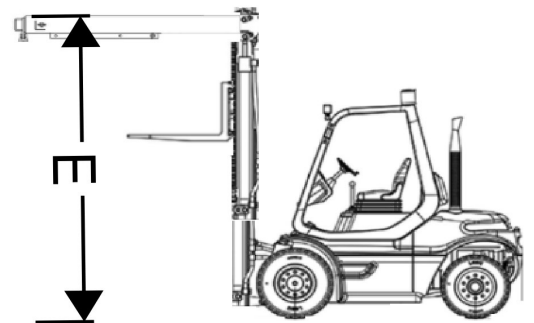
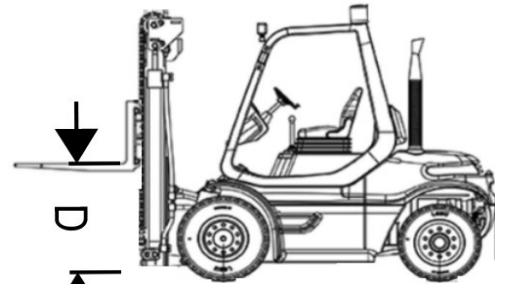
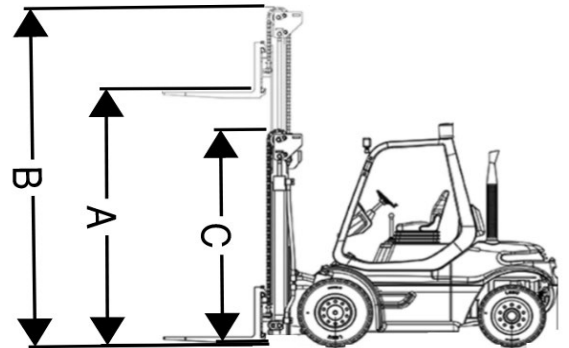




Home of the Rigger Special

MAKE: ROYAL	MODEL: T5000
UNIT# 110701	SERIAL# L0991
MAXIMUM FORK HEIGHT.....	(A) <u>116"</u>
OVERALL RAISED HEIGHT.....	(B) <u>175"</u>
OVERALL LOWERED HEIGHT.....	(C) <u>120"</u>
FREE FORK HEIGHT.....	(D) _____
OVERALL RAISED HEIGHT W/BOOM	(E) <u>NO BOOM</u>
OVERALL LOWERED HEIGHT W/BOOM	(F) _____
TRUCK WIDTH.....	(G) <u>91"</u>
TRUCK LENGTH.....	(H) <u>188"</u>
FORK LENGTH	<u>96"</u>
FORK WIDTH	<u>8"</u>
WEIGHT OF TRUCK	lbs# <u>61,841</u>
COUNTERWEIGHT(S)	lbs# <u>ATTACHED</u>
CAPACITY	lbs# <u>50,000 @ 36"</u>
GM SPECS:	<u>YES NO X</u>
SIDE SHIFT:	<u>YES NO</u>
FORK POSITIONERS:	<u>YES NO</u>
FUEL TYPE:	<u>L.P.: X GAS: DIESEL: ELECTRIC:</u>
HYDRAULIC BOOM:	<u>YES NO</u>
TIRE TYPE:	<u>PNEUMATIC CUSHION X</u>
FRONT TIRE SIZE:	<u>36X14X30</u>
REAR TIRE SIZE:	<u>28X12X22</u>
FILTERS.....	
OIL(P/N):	<u>51060 WIX</u>
AIR(P/N):	<u>14X3 (ON CAB)</u>
FUEL(P/N):	<u>LP ONLY</u>



ADDITIONAL COMMENTS:

MT 34 BATTERY

\_\_\_\_\_  
 \_\_\_\_\_