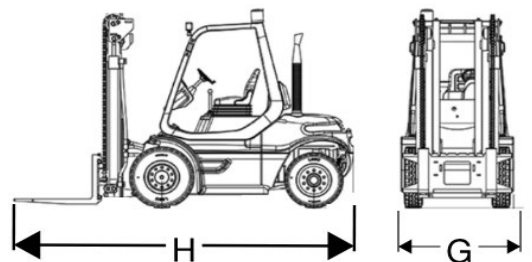
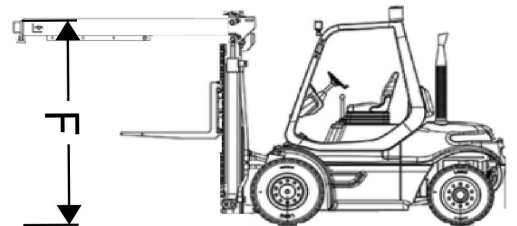
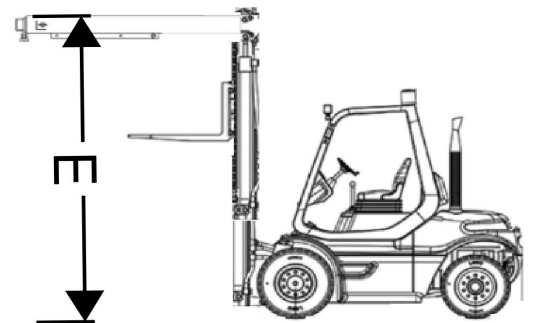
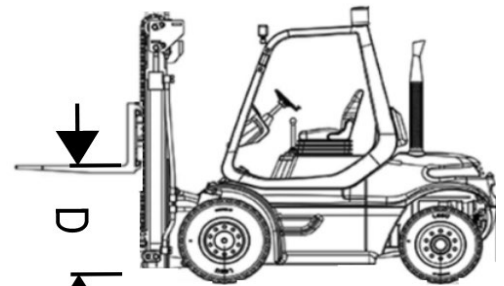
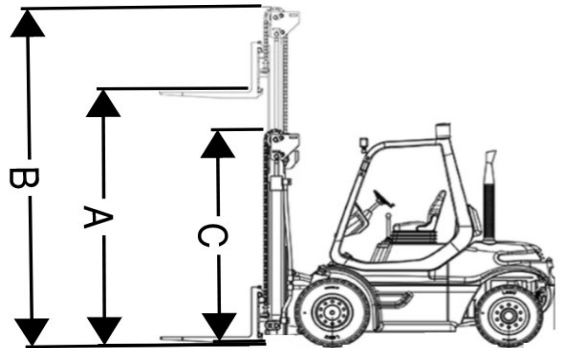




Home of the Rigger Special

MAKE: TAYLOR	MODEL: TC300/400
UNIT# 112509	SERIAL# 5-J-2-18047
MAXIMUM FORK HEIGHT.....	(A) 97"
OVERALL RAISED HEIGHT.....	(B) 154"
OVERALL LOWERED HEIGHT.....	(C) 99"
FREE FORK HEIGHT.....	(D) 26 1/2"
OVERALL RAISED HEIGHT W/BOOM	(E) 246"
OVERALL LOWERED HEIGHT W/BOOM	(F) 120"
TRUCK WIDTH.....	(G) 56 1/2"
TRUCK LENGTH.....	(H) 148" LESS FORKS
FORK LENGTH	8'
FORK WIDTH	8"
WEIGHT OF TRUCK	lbs# 46,250
COUNTERWEIGHT(S)	lbs# OPTIONAL 40,000 WEIGHT
CAPACITY	lbs# 30,000/40,000 WITH HEIGHT
GM SPECS: YES NO X	
SIDE SHIFT: YES NO	
FORK POSITIONERS: YES NO	
FUEL TYPE: L.P.: GAS: DIESEL: X ELECTRIC:	
HYDRAULIC BOOM: YES NO	
TIRE TYPE: PNEUMATIC CUSHION X	
FRONT TIRE SIZE: 28X16X22	
REAR TIRE SIZE: 22X9X16	
FILTERS.....	
OIL(P/N): 51970	
AIR(P/N):	
FUEL(P/N):	



ADDITIONAL COMMENTS:
MANUAL PIN, DETROIT DIESEL