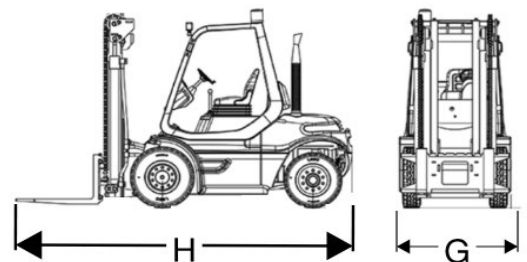
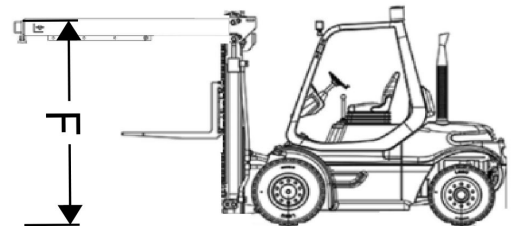
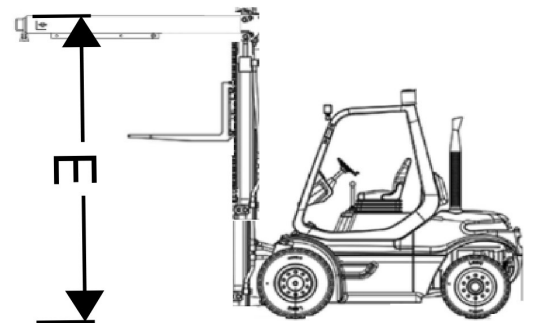
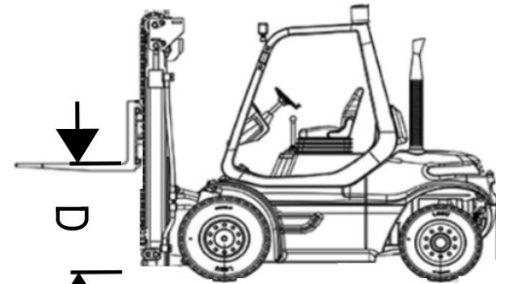
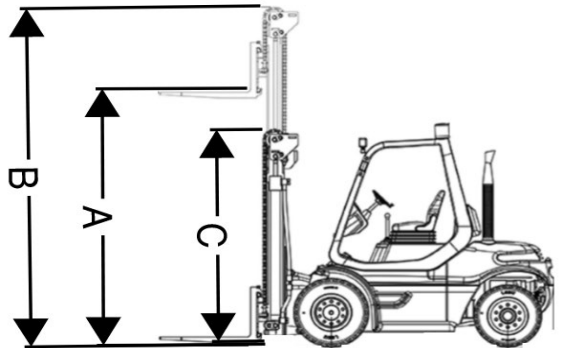




Home of the Rigger Special

MAKE: TAYLOR	MODEL: THC - 4002
UNIT# 112530	SERIAL# S-N9-30065
MAXIMUM FORK HEIGHT.....	(A) 101"
OVERALL RAISED HEIGHT.....	(B) 154 1/2"
OVERALL LOWERED HEIGHT.....	(C) 117 1/2"
FREE FORK HEIGHT.....	(D) 50"
OVERALL RAISED HEIGHT W/BOOM	(E) 190"
OVERALL LOWERED HEIGHT W/BOOM	(F) 154 1/2"
TRUCK WIDTH.....	(G) 69 1/2"
TRUCK LENGTH.....	(H) 167"
FORK LENGTH	8'
FORK WIDTH	8" X 31/2" THICK
WEIGHT OF TRUCK	lbs# 58,450
COUNTERWEIGHT(S)	lbs#
CAPACITY	lbs# 40,000 @ 30"
GM SPECS:	YES X NO
SIDE SHIFT:	YES NO
FORK POSITIONERS:	YES X NO
FUEL TYPE:	L.P.: X GAS: X DIESEL: ELECTRIC:
HYDRAULIC BOOM:	YES NO
TIRE TYPE:	PNEUMATIC CUSHION X
FRONT TIRE SIZE:	(DRIVE) 36X30X20
REAR TIRE SIZE:	(STEER) 28X12X22
FILTERS.....	
OIL(P/N):	51060 WIX
AIR(P/N):	2522 NAPA/42522 WIX
FUEL(P/N):	33032 WIX



ADDITIONAL COMMENTS:

AIR COMP BELT- GATES 6863, 7.4 CHEVY (454)

MT34 BATTERY, LP TANK COVER (FORD SPEC)

V-BELT AIR COMPRESSOR