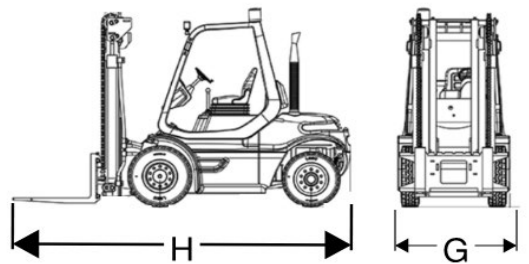
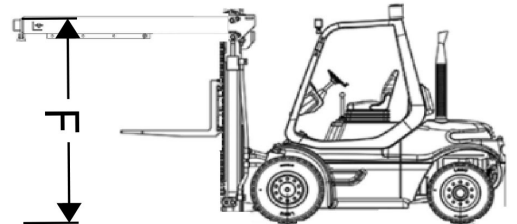
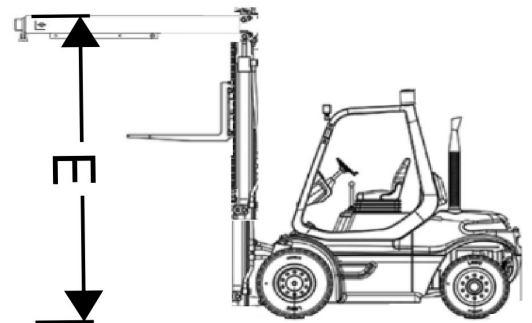
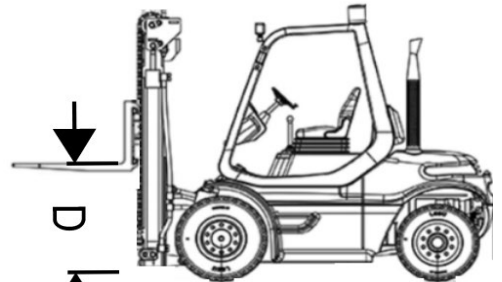
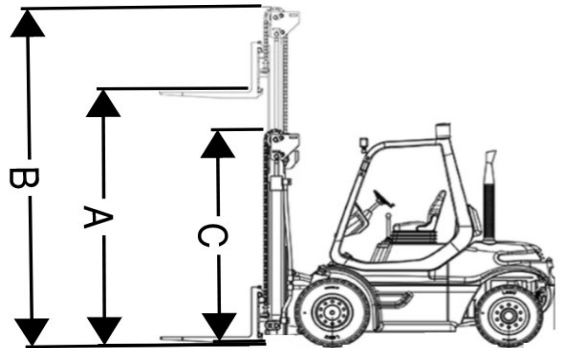




Home of the Rigger Special

MAKE: TAYLOR	MODEL: TC0-3005
UNIT# 112532	SERIAL# S-D7-21646
MAXIMUM FORK HEIGHT.....	(A) 99"
OVERALL RAISED HEIGHT.....	(B) 156"
OVERALL LOWERED HEIGHT.....	(C) 109 1/2"
FREE FORK HEIGHT.....	(D)
OVERALL RAISED HEIGHT W/BOOM	(E) 260"
OVERALL LOWERED HEIGHT W/BOOM	(F) 109 1/2"
TRUCK WIDTH.....	(G) 66 1/2"
TRUCK LENGTH.....	(H) 140" LESS FORKS
FORK LENGTH	8'
FORK WIDTH	8"
WEIGHT OF TRUCK	lbs# 42,450
COUNTERWEIGHT(S)	lbs# BUILT IN CW
CAPACITY	lbs# 30,000 @ 24"
GM SPECS: YES X NO	
SIDE SHIFT: YES NO	
FORK POSITIONERS: YES NO	
FUEL TYPE: L.P.: X GAS: X DIESEL: ELECTRIC:	
HYDRAULIC BOOM: YES NO	
TIRE TYPE: PNEUMATIC CUSHION X	
FRONT TIRE SIZE: 28X16X22	
REAR TIRE SIZE: 22X10X16	
FILTERS.....	
OIL(P/N): 51515 WIX	
AIR(P/N): 42520 WIX	
FUEL(P/N): 33033 WIX	



ADDITIONAL COMMENTS:

MANUAL PIN, TRANS, HYD - IN TANK FILTER, MT-34 BATTERY

FORD 460, SINGLE STEER CYL, AIR BRAKES