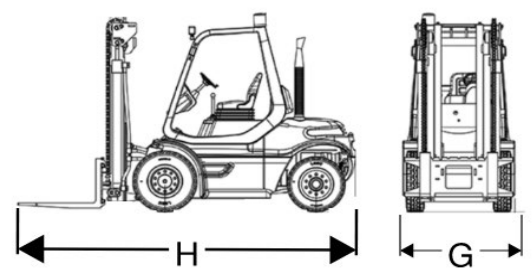
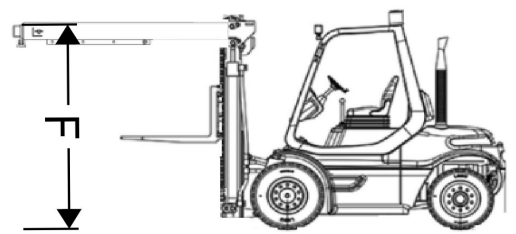
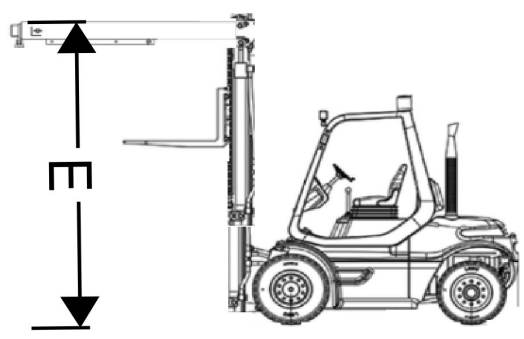
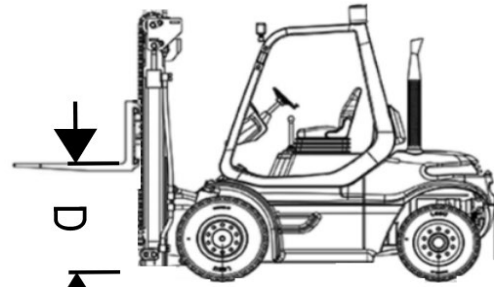
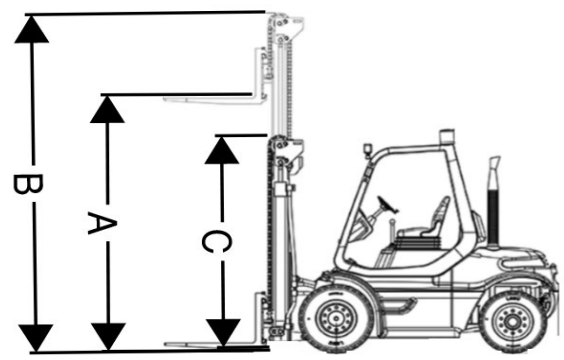




Home of the Rigger Special

MAKE: TAYLOR	MODEL: THD-160
UNIT# 112611	SERIAL# S-C8-26820
MAXIMUM FORK HEIGHT.....	(A) <u>130"</u>
OVERALL RAISED HEIGHT.....	(B) <u>176"</u>
OVERALL LOWERED HEIGHT.....	(C) <u>110"</u>
FREE FORK HEIGHT.....	(D) _____
OVERALL RAISED HEIGHT W/BOOM	(E) _____
OVERALL LOWERED HEIGHT W/BOOM	(F) _____
TRUCK WIDTH.....	(G) <u>81 1/2"</u>
TRUCK LENGTH.....	(H) <u>12' + FORKS</u>
FORK LENGTH	<u>8'</u>
FORK WIDTH	<u>6" X 2 1/2" THICK</u>
WEIGHT OF TRUCK	lbs# <u>21,700</u>
COUNTERWEIGHT(S)	lbs# _____
CAPACITY	lbs# <u>16,000</u>
GM SPECS:	YES NO X
SIDE SHIFT:	YES NO
FORK POSITIONERS:	YES NO
FUEL TYPE:	L.P.: GAS: DIESEL: X ELECTRIC:
HYDRAULIC BOOM:	YES NO
TIRE TYPE:	PNEUMATIC CUSHION X
FRONT TIRE SIZE:	<u>8.25X15</u>
REAR TIRE SIZE:	<u>8.25X15</u>
FILTERS.....	_____
OIL(P/N):	_____
AIR(P/N):	_____
FUEL(P/N):	_____



ADDITIONAL COMMENTS:
