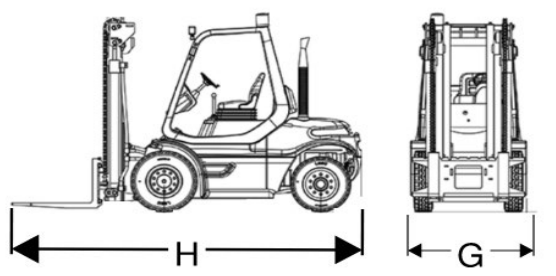
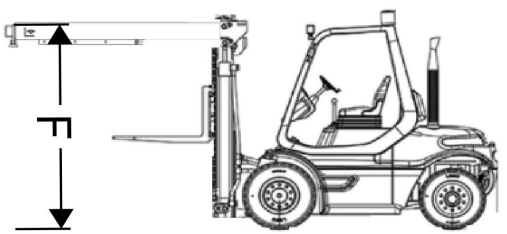
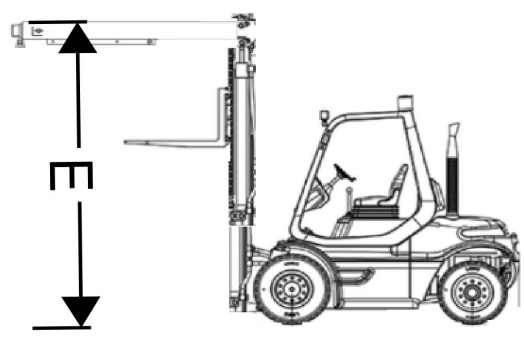
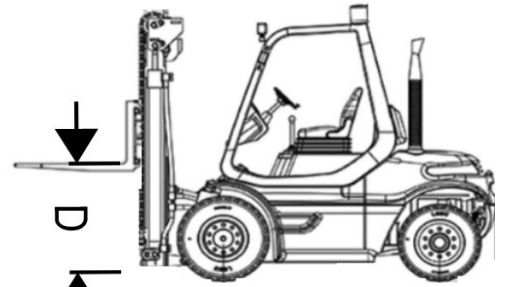
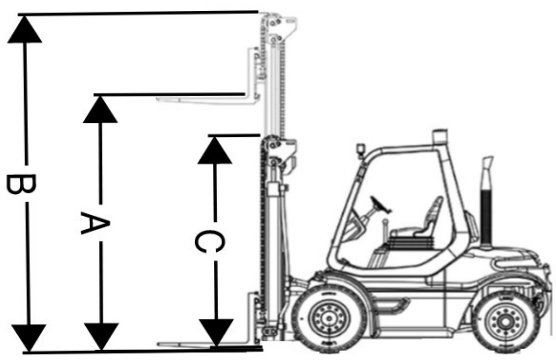




Home of the Rigger Special

MAKE: TAYLOR	MODEL: TCH-300M
UNIT# 112612	SERIAL# S-D6-24208
MAXIMUM FORK HEIGHT.....	(A) 101"
OVERALL RAISED HEIGHT.....	(B) 157"
OVERALL LOWERED HEIGHT.....	(C) 109"
FREE FORK HEIGHT.....	(D) 51"
OVERALL RAISED HEIGHT W/BOOM	(E) _____
OVERALL LOWERED HEIGHT W/BOOM	(F) _____
TRUCK WIDTH.....	(G) 65"
TRUCK LENGTH.....	(H) 156" LESS FORKS
FORK LENGTH	8'
FORK WIDTH	8" X 3 1/2" THICK
WEIGHT OF TRUCK	lbs# 45,400
COUNTERWEIGHT(S)	lbs# _____
CAPACITY	lbs# 36,000 @ 36"
GM SPECS:	YES X NO _____
SIDE SHIFT:	YES NO _____
FORK POSITIONERS:	YES NO _____
FUEL TYPE:	L.P: X GAS: DIESEL: ELECTRIC: _____
HYDRAULIC BOOM:	YES NO _____
TIRE TYPE:	PNEUMATIC CUSHION X _____
FRONT TIRE SIZE:	28X20X22 BLR _____
REAR TIRE SIZE:	22X10X16 BLR _____
FILTERS.....	_____
OIL(P/N):	51515 WIX _____
AIR(P/N):	LAF 9000 _____
FUEL(P/N):	_____



ADDITIONAL COMMENTS:

STARTER- 3238SP, BATTERY 4D-XHD, FORD 460 ENGINE

AIR COMP GATES 7480, AC4 BELT- GATES 4730 (TAKES 2)
