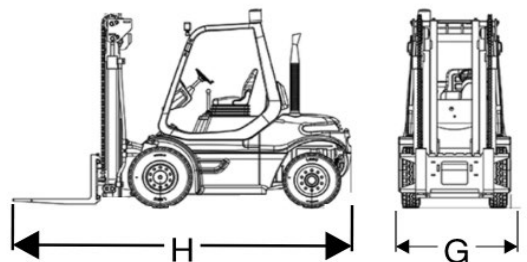
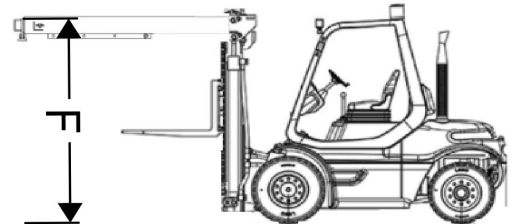
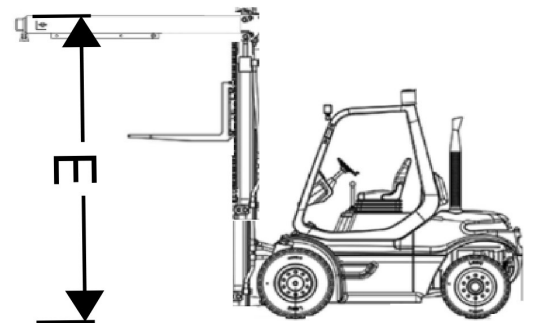
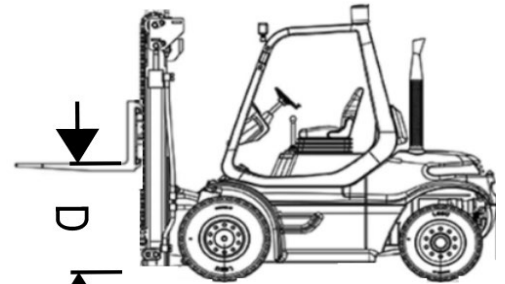
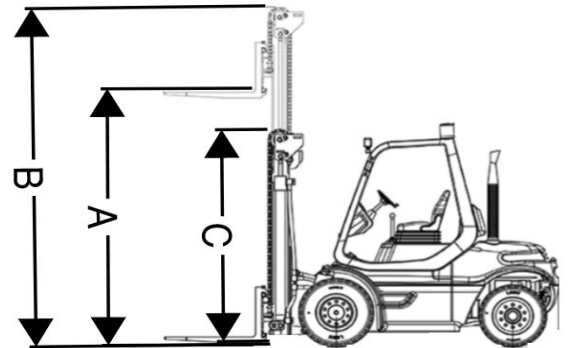




Home of the Rigger Special

MAKE: TAYLOR	MODEL: TE250H
UNIT# 112617	SERIAL# S-H5-20598
MAXIMUM FORK HEIGHT.....	(A) 133"
OVERALL RAISED HEIGHT.....	(B) 194"
OVERALL LOWERED HEIGHT.....	(C) 127"
FREE FORK HEIGHT.....	(D) _____
OVERALL RAISED HEIGHT W/BOOM	(E) _____
OVERALL LOWERED HEIGHT W/BOOM	(F) _____
TRUCK WIDTH.....	(G) 99"
TRUCK LENGTH.....	(H) 193"
FORK LENGTH	8'
FORK WIDTH	8"
WEIGHT OF TRUCK	lbs# 33,150
COUNTERWEIGHT(S)	lbs# PERMANENT 16,535 @ 42" / 25,000 @ 24"
CAPACITY	lbs# _____
GM SPECS:	YES NO X
SIDE SHIFT:	YES X NO
FORK POSITIONERS:	YES NO
FUEL TYPE:	L.P.: X GAS: DIESEL: ELECTRIC:
HYDRAULIC BOOM:	YES NO
TIRE TYPE:	PNEUMATIC X CUSHION
FRONT TIRE SIZE:	10.00-20 SOLIDEAL 16 PLY
REAR TIRE SIZE:	SAME AS FRONT
FILTERS.....	
OIL(P/N):	51515 WIX
AIR(P/N):	42521/ 42520 WIX
FUEL(P/N):	VFF 30 LOCKOFF



ADDITIONAL COMMENTS:

V TREAD TIRES, FIRE EXT
 NEW TIRES AND PAINT AS OF 8/28/15 AND 9036.8 HRS