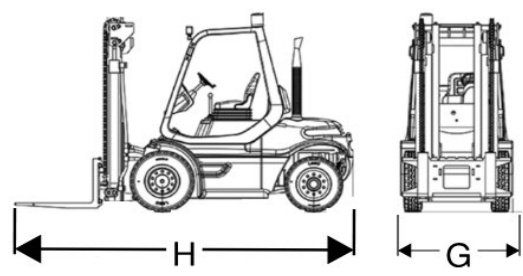
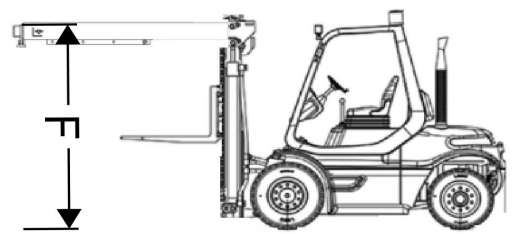
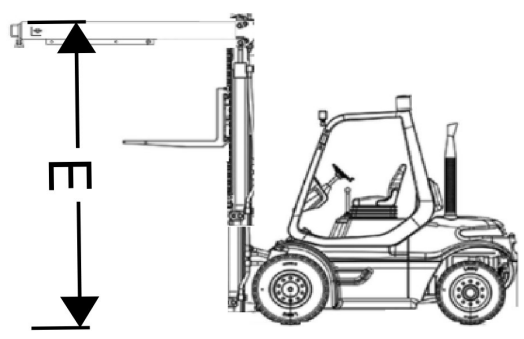
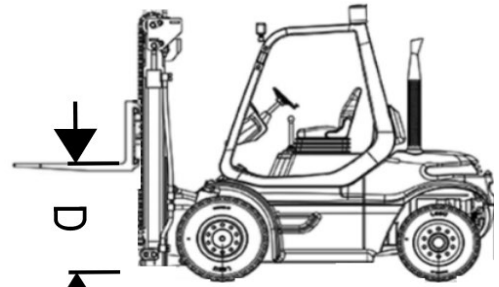
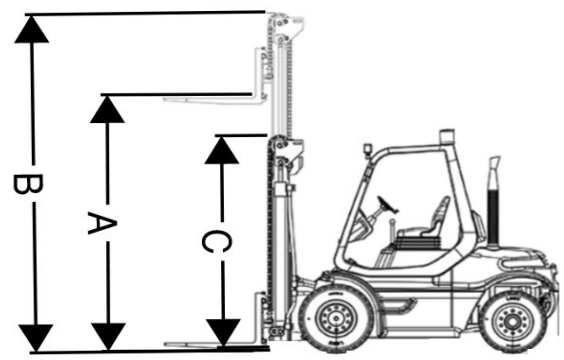




Home of the Rigger Special

MAKE: HOIST	MODEL: F400
UNIT# 112620	SERIAL# 27285
MAXIMUM FORK HEIGHT.....	(A) 103"
OVERALL RAISED HEIGHT.....	(B) 157"
OVERALL LOWERED HEIGHT.....	(C) 108 1/2"
FREE FORK HEIGHT.....	(D) 54"
OVERALL RAISED HEIGHT W/BOOM	(E) 260"
OVERALL LOWERED HEIGHT W/BOOM	(F) 108 1/2"
TRUCK WIDTH.....	(G) 72 1/4"
TRUCK LENGTH.....	(H) 161" +FORKS
FORK LENGTH	8'
FORK WIDTH	7" X 4" THICK
WEIGHT OF TRUCK	lbs# 52,150
COUNTERWEIGHT(S)	lbs# ATTACHED
CAPACITY	lbs# 40,000 @ 30"
GM SPECS:	YES X NO
SIDE SHIFT:	YES NO
FORK POSITIONERS:	YES NO
FUEL TYPE:	L.P.: X GAS: X DIESEL: ELECTRIC:
HYDRAULIC BOOM:	YES NO
TIRE TYPE:	PNEUMATIC CUSHION X
FRONT TIRE SIZE:	28X12X22
REAR TIRE SIZE:	20X10X16
FILTERS.....	
OIL(P/N):	
AIR(P/N):	
FUEL(P/N):	



ADDITIONAL COMMENTS:

MANUAL PIN

MAX FORK WIDTH 57 1/2", MIN 14"

GM SPECS, 5.7 CHEVY ENGINE