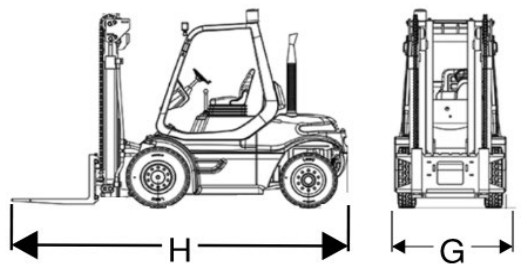
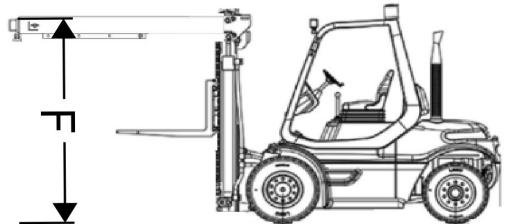
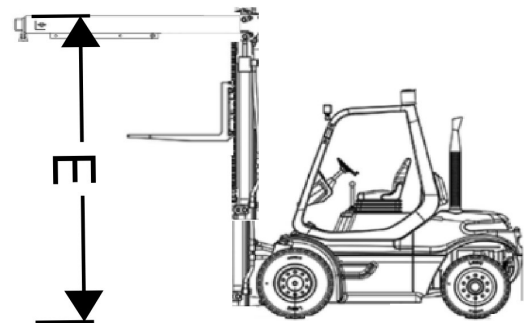
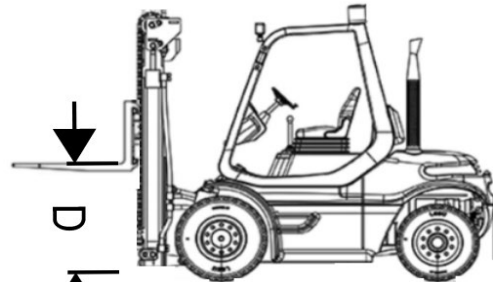
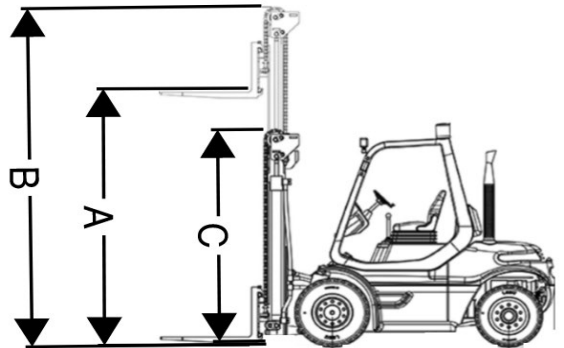




Home of the Rigger Special

MAKE: TAYLOR	MODEL: THC400L
UNIT# 112622	SERIAL# S-N9-35681
MAXIMUM FORK HEIGHT.....	(A) <u>119 1/2"</u>
OVERALL RAISED HEIGHT.....	(B) <u>203 7/8"</u>
OVERALL LOWERED HEIGHT.....	(C) <u>127"</u>
FREE FORK HEIGHT.....	(D) _____
OVERALL RAISED HEIGHT W/BOOM	(E) _____
OVERALL LOWERED HEIGHT W/BOOM	(F) _____
TRUCK WIDTH.....	(G) <u>70 1/8"</u>
TRUCK LENGTH.....	(H) <u>172 1/2" + 5' 1/2" COIL RAM</u>
FORK LENGTH	<u>5' 1/2" COIL RAM</u>
FORK WIDTH	<u>8 1/4"</u>
WEIGHT OF TRUCK	lbs# <u>57,600</u>
COUNTERWEIGHT(S)	lbs# _____
CAPACITY	lbs# <u>40,000</u>
GM SPECS:	YES X NO _____
SIDE SHIFT:	YES NO _____
FORK POSITIONERS:	YES NO _____
FUEL TYPE:	L.P.: GAS: DIESEL: X ELECTRIC: _____
HYDRAULIC BOOM:	YES NO _____
TIRE TYPE:	PNEUMATIC CUSHION X _____
FRONT TIRE SIZE:	<u>36X20X30</u>
REAR TIRE SIZE:	<u>28X12X22</u>
FILTERS.....	_____
OIL(P/N):	<u>51607 WIX</u>
AIR(P/N):	<u>46560 INNER WIX, 42522 OUTER WIX</u>
FUEL(P/N):	<u>33091 WIX, 33033 WIX - INLINE</u>



ADDITIONAL COMMENTS:

AC COMPRESSOR BELT- NAPA 25-9425

SERP. BELT CUMMINS 3289268

HYD TANK BREATHER- WIX 51259