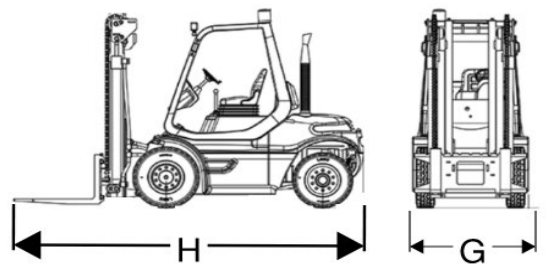
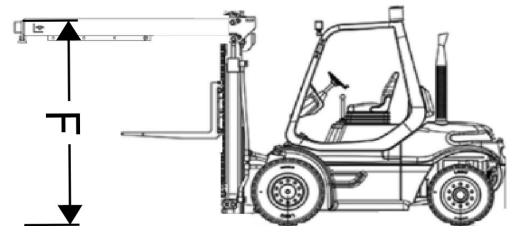
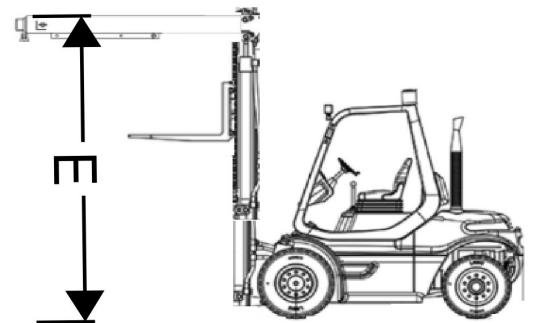
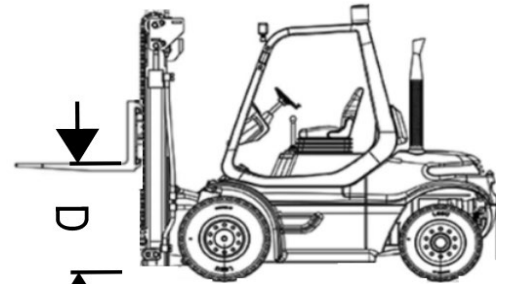
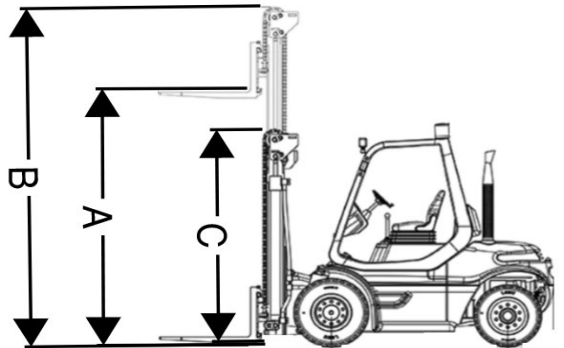




Home of the Rigger Special

MAKE: TAYLOR	MODEL: T300
UNIT# 120695	SERIAL# 21366-120695
MAXIMUM FORK HEIGHT.....	(A) 89"
OVERALL RAISED HEIGHT.....	(B) 151"
OVERALL LOWERED HEIGHT.....	(C) 110"
FREE FORK HEIGHT.....	(D) 50"
OVERALL RAISED HEIGHT W/BOOM	(E) 217 1/2"
OVERALL LOWERED HEIGHT W/BOOM	(F) 111 1/2"
TRUCK WIDTH.....	(G) 65"
TRUCK LENGTH.....	(H) 155"
FORK LENGTH	8'
FORK WIDTH	8"
WEIGHT OF TRUCK	lbs# 42,000
COUNTERWEIGHT(S)	lbs# HANG ON CW
CAPACITY	lbs# 30,000 @ 24" LC/ 40,000 @ 24" LC W/CW
GM SPECS:	YES NO X
SIDE SHIFT:	YES NO
FORK POSITIONERS:	YES NO
FUEL TYPE:	L.P.: GAS: DIESEL: X ELECTRIC:
HYDRAULIC BOOM:	YES X NO
TIRE TYPE:	PNEUMATIC CUSHION X
FRONT TIRE SIZE:	28x20x22
REAR TIRE SIZE:	22x10x16
FILTERS.....	
OIL(P/N):	51607 WIX
AIR(P/N):	42919 WIX
FUEL(P/N):	33357 WIX + 33358 WIX



ADDITIONAL COMMENTS:

---



---



---