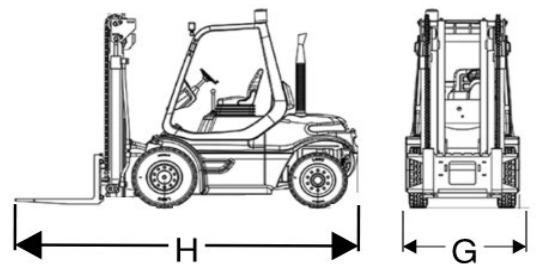
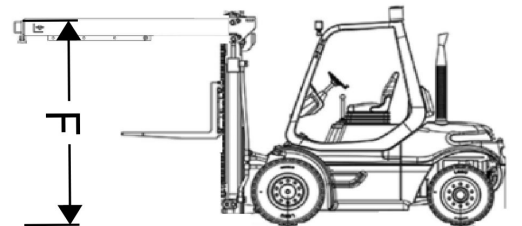
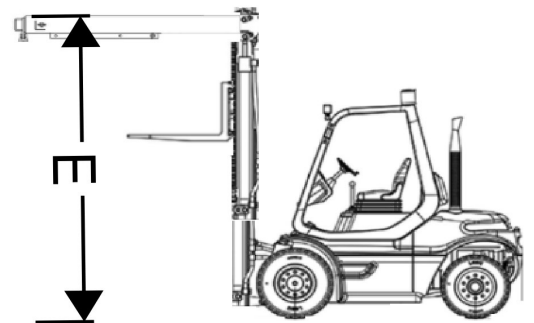
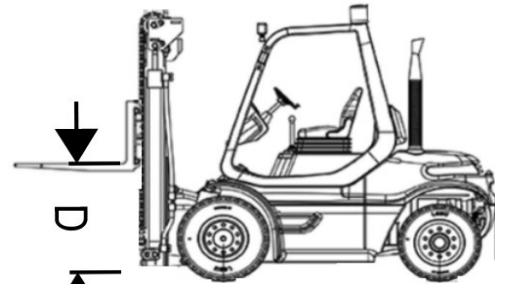
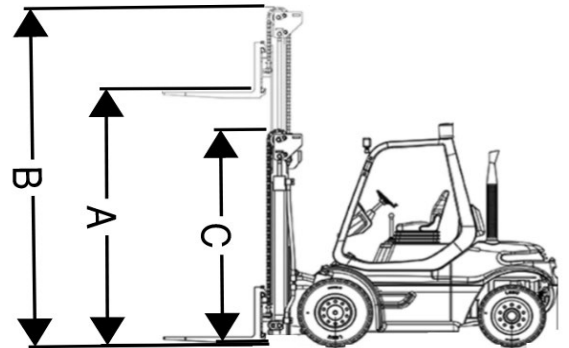




Home of the Rigger Special

MAKE: HYSTER	MODEL: S180XL2
UNIT# 140110	SERIAL# B024D05862W
MAXIMUM FORK HEIGHT.....	(A) 135"
OVERALL RAISED HEIGHT.....	(B) 180"
OVERALL LOWERED HEIGHT.....	(C) 122"
FREE FORK HEIGHT.....	(D) 13 1/2"
OVERALL RAISED HEIGHT W/BOOM	(E) _____
OVERALL LOWERED HEIGHT W/BOOM	(F) _____
TRUCK WIDTH.....	(G) 56 1/2"
TRUCK LENGTH.....	(H) 135" +FORKS
FORK LENGTH	71" NOT CHANGEABLE PIN
FORK WIDTH	8" x 3" THICK
WEIGHT OF TRUCK	lbs# 31,700
COUNTERWEIGHT(S)	lbs# FIX
CAPACITY	lbs# 19,600 @ 30"
GM SPECS:	YES X NO
SIDE SHIFT:	YES X NO
FORK POSITIONERS:	YES NO
FUEL TYPE:	L.P.: X GAS: DIESEL: ELECTRIC:
HYDRAULIC BOOM:	YES NO
TIRE TYPE:	PNEUMATIC CUSHION
FRONT TIRE SIZE:	28x12x22 NON MARKING
REAR TIRE SIZE:	22x8x16 NON MARKING
FILTERS.....	
OIL(P/N):	_____
AIR(P/N):	_____
FUEL(P/N):	_____



ADDITIONAL COMMENTS:

AUTO TRANS, 4.3 CHEVY, 24 SERIES BATTERY

ALTERNATOR OLD STYLE GM (3 WIRE)